

**AB-862G  
SUPER I/O CARD**

**USER'S MANUAL**

---

# CONTENTS

Features .....	1
Checklist.....	2
Board Description .....	3
Jumper Description .....	4

## Features:

- \* Compatible with IBM PC AT/XT disk drive systems.
- \* Supports up to two 3.5", or 5.25" 360K/720K/1.2M or 1.44MB floppy Disk Drivers.
- \* Supports up to two Embedded Hard Disk Drives (IDE AT bus).
- \* Supports two serial functions.
- \* Supports one printer port function.
- \* Address decoding and strobe generator for game port for read/write.
- \* All functions can enable and disable it.
- \* Only one 24MHz crystal is needed for FDC and ACE.

## Checklist:

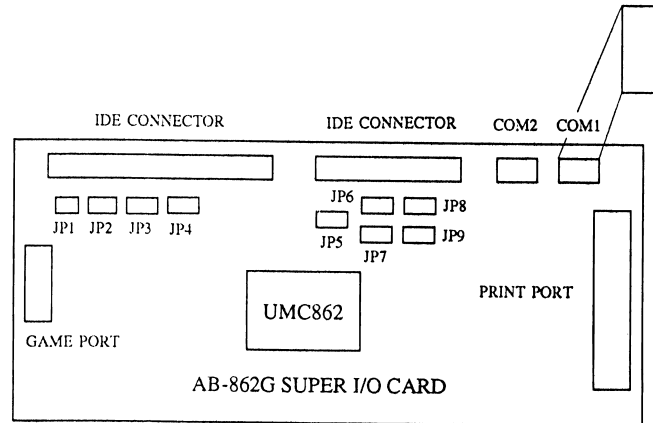
Before you start to install your AB-862G Super I/O Card. We suggest that you examine your package and check with the list below to make sure that everything you need is in order.

In your AB-862G-Super I/O Card package, you should find the following items:

- \* AB-862G Super I/O Card.
- \* Hard disk controller cable.
- \* Floppy disk controller cable.
- \* Serial and game port interface cable.
- \* User's manual.

If any of above listed item is missing. Please contact your dealer for replacement.

## Board Description:



Shown above is an approximate layout of the AB-862G Super I/O Card. You may refer to this diagram for location of chip, connectors and jumpers.

- JP1: This jumper is connected to an external LED activity indicator.
- JP2: HDC (IDE or others) exist/not exist jumper.
- JP3: Game port enabled/disabled jumper.
- JP4: Floppy enabled/disabled jumper.
- JP5: Optional IOCHRDY connection for IDE.
- JP6: IDE enabled/disabled jumper.
- JP7: COM1 enabled/disabled jumper.
- JP8: Printer port address selection jumper.
- JP9: COM2 enabled/disabled jumper.

## Jumper Description:

### 1. JP1: IDE LED connector

JUMPER SETTING	DESCRIPTION
Pin 1	+ anode
Pin 2	- cathode

### 2. JP2: HDC exist jumper

JUMPER SETTING	DESCRIPTION
Pin 1,2 short	Exist
Pin 2,3 short	Not exist

### 3. JP3: Game port jumper

JUMPER SETTING	DESCRIPTION
Pin 1,2 short	Enabled
Pin 2,3 short	Disabled

### 4. JP4: FDD controller jumper

JUMPER SETTING	DESCRIPTION
Pin 1,2 short	Enabled
Pin 2,3 short	Disabled

### 5. JP5: Option IOCHRDY connection for IDE

JUMPER SETTING	DESCRIPTION
Pin 1,2 short	Select IOCHRDY for IDE
Pin 2,3 open	Above

### 6. JP6: IDE port jumper

JUMPER SETTING	DESCRIPTION
Pin 1,2 short	Enabled
Pin 2,3 short	Disabled

### 7. JP7: COM1 port jumper

JUMPER SETTING	DESCRIPTION
Pin 1,2 short	Enabled
Pin 2,3 short	Disabled

### 8. JP8: Printer port address selection jumper

JUMPER SETTING	DESCRIPTION
Pin 1,2 short	378H
Pin 2,3 short	278H

### 9. JP9: COM2 port jumper

JUMPER SETTING	DESCRIPTION
Pin 1,2 short	Enabled
Pin 2,3 short	Disabled