

The following pages were  
extracted from the:

---

*COMPAQ SERVICE  
QUICK REFERENCE GUIDE*

# DP386/20e

## COMPAQ DESKPRO 386/20e

### BOARD COMPATIBILITY LIST

Product	Assy No.	Spare Part No.	Page
<b>SYSTEM BOARDS</b>			
386/20e System	000935/001196/ 001316/001625	112571-001	115/116
<b>MEMORY BOARDS</b>			
4MB Memory Module	000758/000993/ 001166-001/002	113226-001	X
1MB Memory Module	000762/000981/ 001076/001151-001 001256/001259	113225-001	X
1MB 32-Bit Memory	000960	112518-001	X
4MB 32-Bit Memory	000963	112517-001	X
<b>CONTROLLER BOARDS</b>			
Tape Adapter	000774	113259-001	A-3
ESDI External 300/600	001091	115839-001	A-3
15 MHz ESDI Cntrl	001283/001628	115188-001	A-4
ESDI/Diskette Cntrl	001472	115374-001	A-4
<b>VIDEO BOARDS</b>			
Advanced Graphics 1024	109958	114201-001	A-8
Advanced Graphics Memory	109959	114202-001	X
VGA Pass-Through	001430	114241-001	X
<b>MISCELLANEOUS</b>			
Serial/Parallel Interface	000570	106886-001	A-8
Serial/Parallel Interface	000990	106880-001	A-9
2400-Baud Int Modem	001070	112693-001	X

# DP386/20e

## COMPAQ DESKPRO 386/20e

### FIXED DISK DRIVES

Drive Size	Drive Type	Inter-leave	Inte-grated	Min ROM	Spare Part No.	Controller Assy No.
20 MB*	2	1:1	Y	M.2	114465-001	N/A
20 MB*	2	3:1	Y	M.2	112527-001	N/A
40 MB*	22	1:1	Y	M.2	112526-001	N/A
40 MB*	43	1:1	Y	M.2	112526-001	N/A
84 MB	27	1:1	Y	M.2	112438-001	N/A
110 MB*	33	1:1	Y	M.2	112525-001	N/A
300 MB <sup>1</sup>	38	1:1	N	M.4	113219-001	001091 001283 001472 001828
320 MB	28	1:1	N	N.2	115182-001	001283 001528

\* See page A-13 for single and dual fixed disk drive switch settings and configuration.

<sup>1</sup> Used in Fixed Disk Expansion Unit. Requires MS-DOS 3.3 or later.

<sup>2</sup> Disable diskette circuitry when using as a fixed disk drive controller.

### TAPE DRIVES

Drive Size	Spare Part No.	Tape Cartridge	Spare Part No.
40/60 MB	112524-001	40 MB (DC 2000)	108142-001
		60 MB	122086-001
135 MB	112523-001	135 MB (DC 600 XTD)	113234-001
80/120 MB	122087-001	80 MB	116966-001
		120 MB	116967-001
150/250 MB	115220-001	150 MB (DC 600 XTD)	113234-001
		250 MB	115298-001

### DISKETTE DRIVES

Size	Spare Part No.
360 KB	112567-001
1.2 MB	112566-001
1.44 MB*	112565-001

\* Requires MS-DOS Version 3.31 Revision A if installed as drive B, and MS-DOS Version 3.31 Revision B if installed as drive A.

*Rem 112565-001*

# DP386/20e

## COMPAQ DESKPRO 386/20e

### CABLE INFORMATION

Cable Function	Used With	Spare Part No.	
Diskette/Tape Signal	All Diskette Drives 40/60-MB Tape	113594-001	
Mass Storage Power	All Diskette & Tape Drives	113596-001	
Mass Storage Power	20-, 40-, 84-, & 110-MB FDD - Drive C	101741-001	
Mass Storage Power	20-, 40-, 84-, & 110-MB FDD - Drive D	101741-004	15 In.
Tape Signal	135-, 80/120-, & 150/250-MB Tape Drives	113198-002	
FDD Signal	20-, 40-, 84-, & 110-MB FDD - Drive C	113595-001	
FDD Signal	20-, 40-, 84-, & 110-MB FDD - Drive D	112528-001	
Mass Storage Power	320-MB FDD	115215-001	
Mass Storage Signal	320-MB FDD	100625-006 115197-001	20-Pin 34-Pin
External I/O	Expansion Unit	115810-001	
Telephone Cable	Modem	112666-001	
VGA Pass-Through	Adv Graphics	114229-001	

### BOARD JUMPER/SWITCH SETTINGS

#### SYSTEM BOARD (000935, 001196, & 001316)

#### SW1 SETTINGS

1	2	3	4	5	6	7	8	Function
ON*								Enable fail-safe timer
OFF								Disable fail-safe timer
	ON							387 coprocessor installed
	OFF*							387 coprocessor not installed/Weitek installed
		ON						Disable memory caching in 12 thru 16-MB range
		OFF						Enable memory caching in 12 thru 16-MB range
			ON*					CPU boot speed 20 MHz except 8 MHz when accessing diskette drive
			OFF					CPU boot speed 20 MHz
				OFF				Reserved
					ON*			EGA, RGBI, or VGC
					OFF			3rd-party monochrome (MDA only)
						OFF	OFF	256 KB base memory
						ON	OFF	512 KB base memory
						ON	ON	640 KB base memory
						OFF	ON	Reserved

\* Default

Continued

# DP386/20e

## COMPAQ DESKPRO 386/20e

### BOARD JUMPER/SWITCH SETTINGS

#### SYSTEM BOARD (000935, 001196, & 001316)

#### SW2 SETTINGS

1	2	3	4	5	6	7	8	Function
OFF*								Primary diskette & fixed disk drive address select (3FX & 1FX)
ON								Secondary diskette & fixed disk drive address select (37X & 17X)
	OFF*							Enable power-on password
	ON							Disable power-on password
		OFF*						Enable integrated fixed disk drive controller
		ON						Disable integrated fixed disk drive controller
			OFF* OFF*					Serial interface COM1 IRQ4
			ON OFF					Serial interface COM2 IRQ3
			ON ON					Disable serial interface
			OFF ON					Reserved
					ON* OFF*			Select printer interface LPT1 (3BX)
					OFF ON			Select printer interface LPT2 (37X)
					ON ON			Disable printer interface
					OFF OFF			Reserved
							OFF*	Enable integrated VGC
							ON	Disable integrated VGC

Jumper	Setting	Function
E4	1-2	Enable IRQ12 from bus, disable pointing device
E4	2-3*	Enable pointing device interface
E10	1-2*	8-bit video ROM
E10	2-3	16-bit video ROM

\* Default

#### SYSTEM BOARD (001625)

Switch	Setting	Function
S1	ON*	Enable integrated VGA
S1	OFF	Disable integrated VGA
S2	ON	Disable Power-On Password
S2	OFF*	Enable Power-On Password

# DP386/20e

## COMPAQ DESKPRO 386/20e

### PROCESSOR/COPROCESSOR LOCATIONS

Processor (386-20)	Coprocessor (387-20)
U154	U155
<u>Weitek 3167 Coprocessor (Spare Part No. 115517-001)</u>	
U155	

### SYSTEM ROM INFORMATION

<u>SYSTEM ROM LOCATIONS (000935, 001196, 001316)</u>	
U119 ODD	
U135 EVEN	

<u>SYSTEM ROM LOCATIONS (001625)</u>	
U119 ODD	
U141 EVEN	

<u>SYSTEM ROM REVISIONS (Spare Part No. 112694-001)</u>		
Rev	PN on ODD ROM	PN on EVEN ROM
M.2	112673-003	112674-003
M.4	112673-004	112674-004
N.2	112673-005	112674-005
N.3	112673-006	112674-006
P.6	122095-001	122096-001
R.1	122095-002	122096-002

### POWER SUPPLY

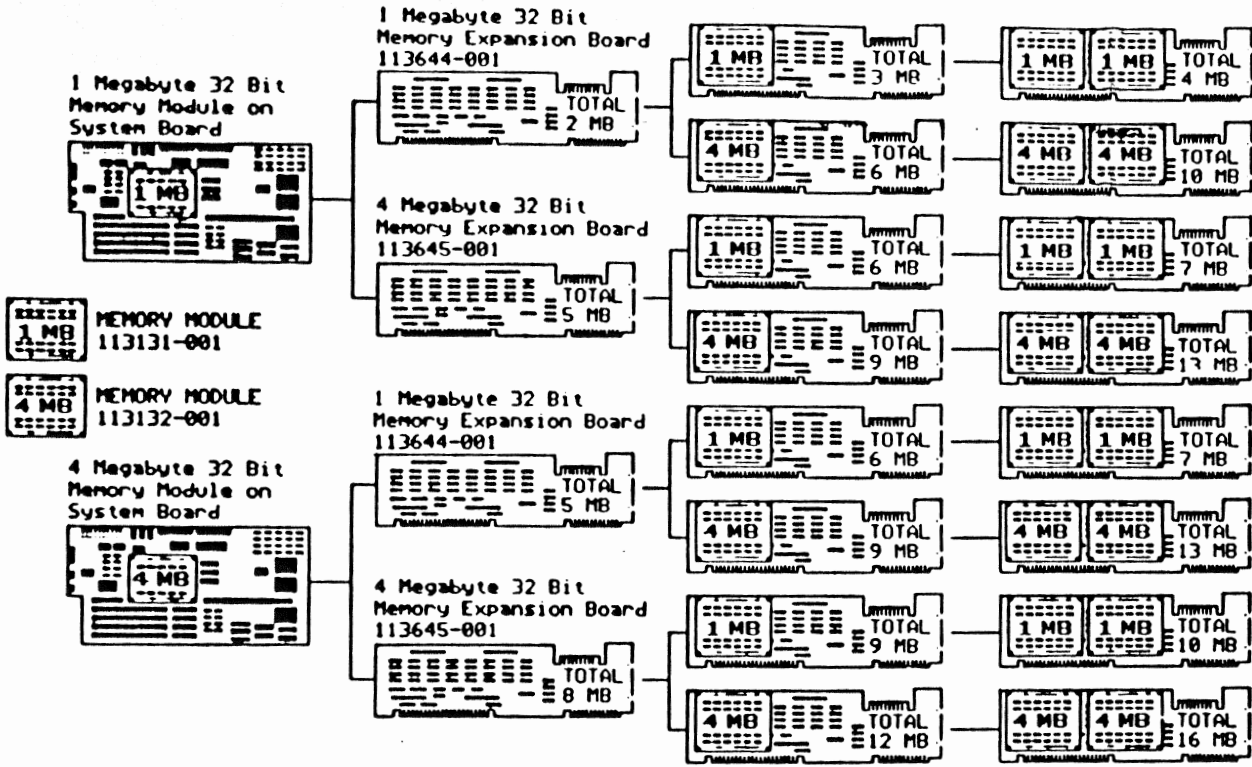
Spare Part No. 112570-001

### BATTERY

Spare Part No. 112654-001

### BATTERY/CLOCK MODULE

Spare Part No. 107872-001  
(Used on System Board 001496)



**COMPAQ DESKPRO 386/20e MEMORY UPGRADE CHART**