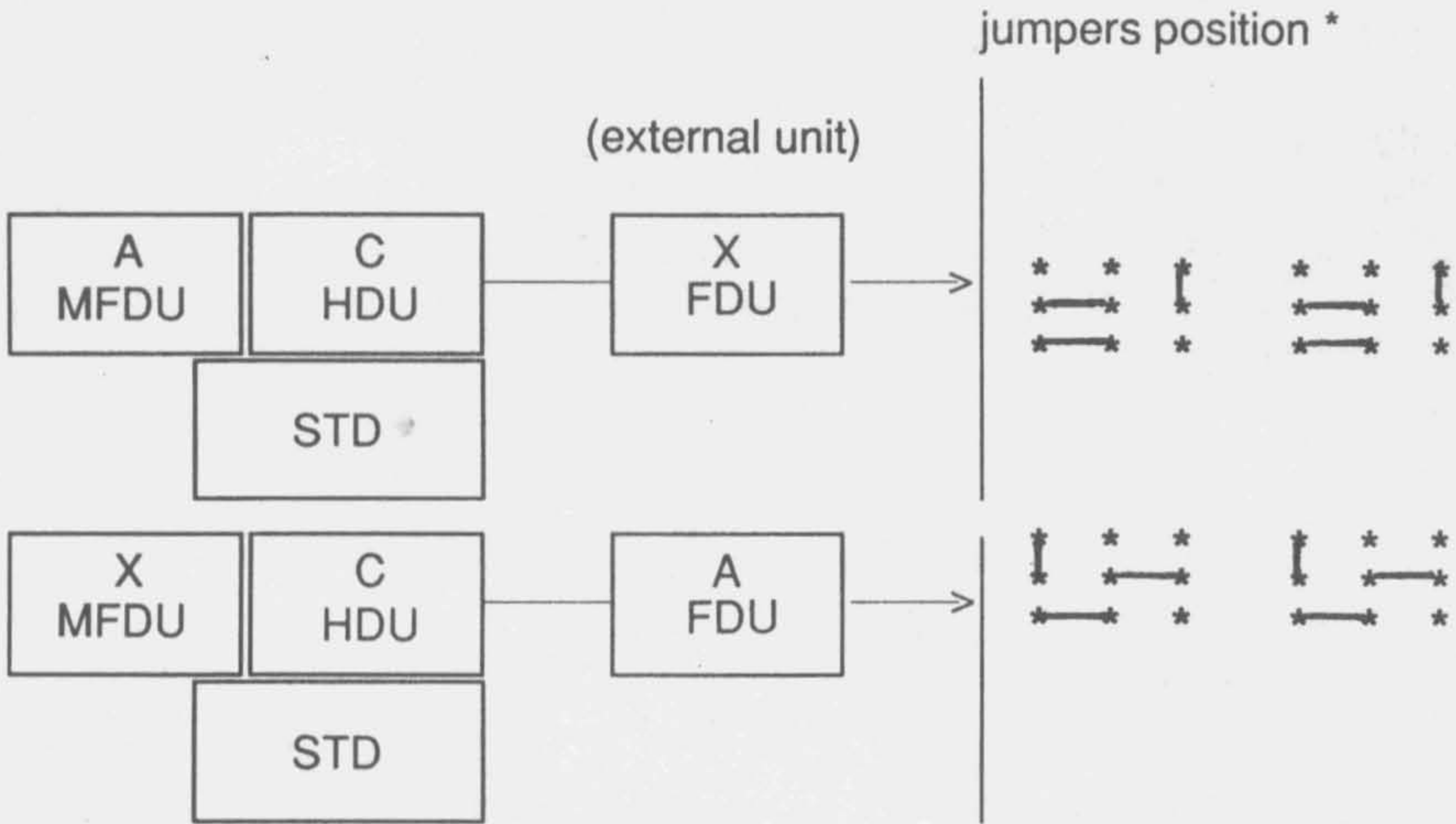


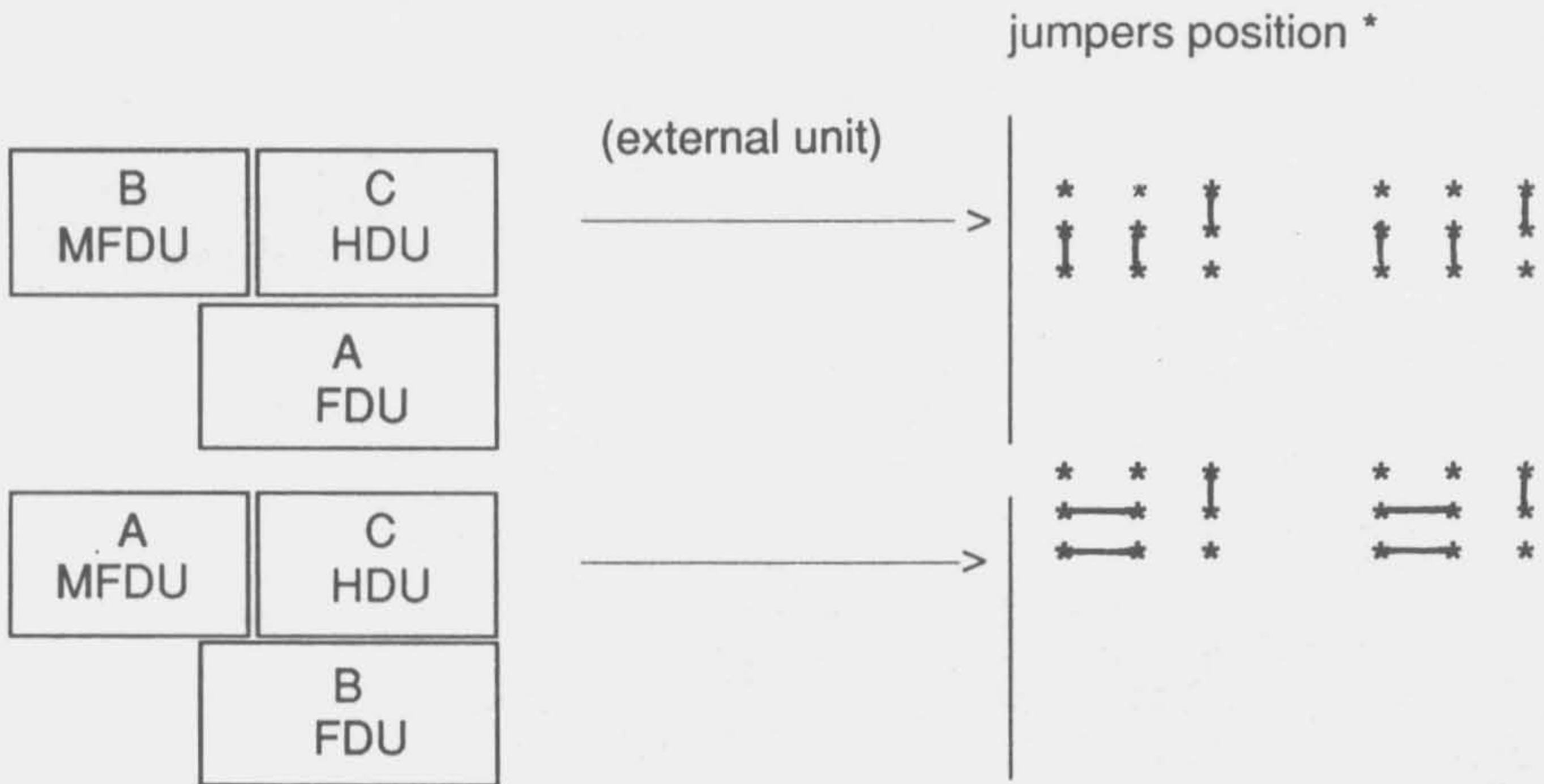
CONFIGURATION:  
 OPTIONS:

- HDU 20/40/100 MB, MFD 3.5" 1.44 MB
- STD 5.25" 40/80 MB
- EXTERNAL FD 5.25" 1.2 MB



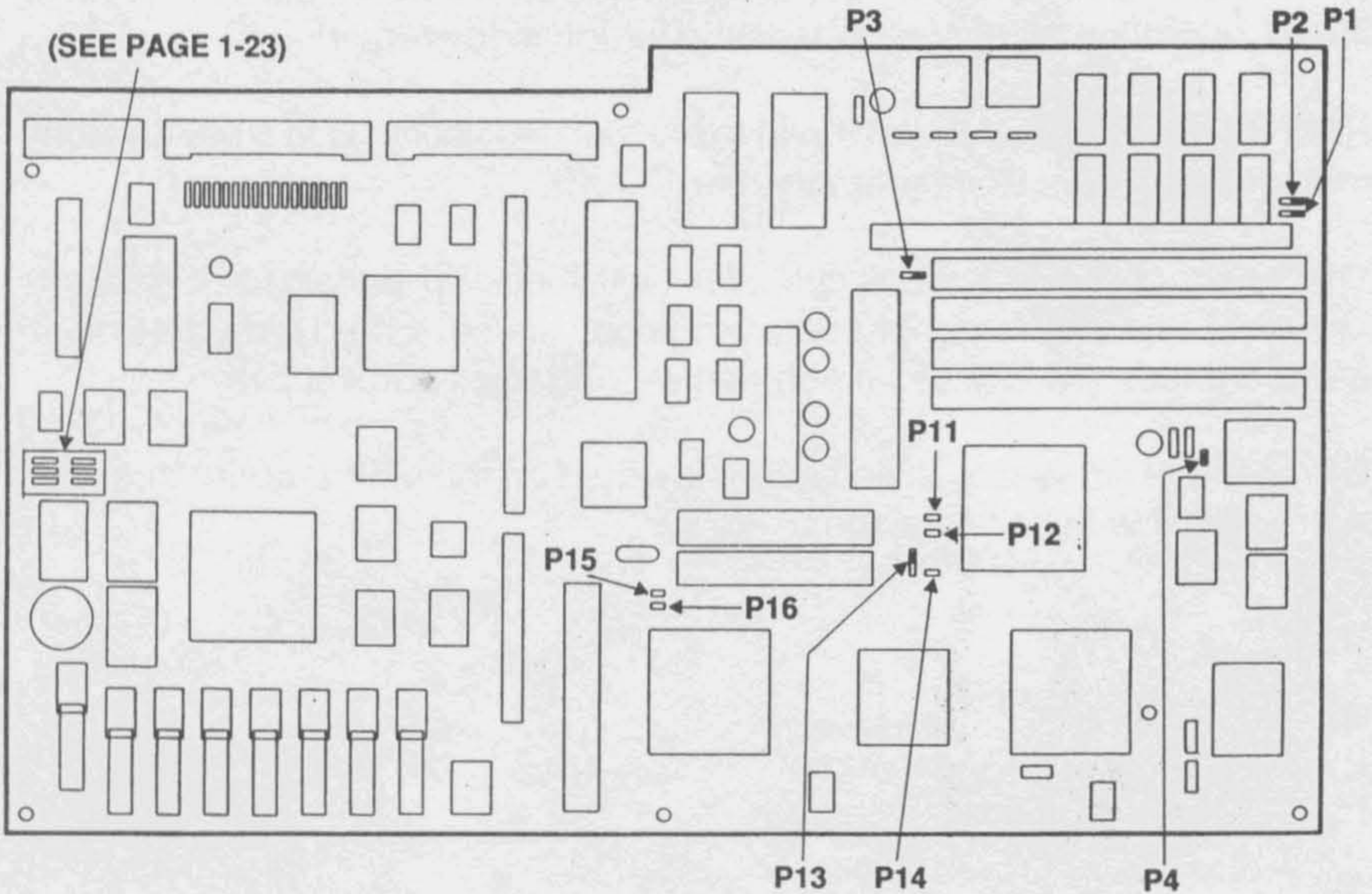
CONFIGURATION:  
 OPTIONS:

- HDU 20/40/100 MB, FD 5.25" 1.2 MB
- INTEGRATED MFD 3.5" 1.44 MB



\* See jumper's location on page 1-20

# MOTHERBOARD-JUMPERS LOCATION



The function of each jumper is described in the following page.

ON = jumper connected  
OFF = no connection (open)

### Important NOTE:

Jumpers P11, P12, P15 and P16 must be always OFF (open).

- P11 (wait in DMA)
- P12 (wait in refresh)
- P14 (256 Kb RAM memory)
- P15 (wait cycles)
- P16 (wait cycles)

## JUMPERS SETTINGS

### - P1 - PASSWORD

2-3 = ON = Password active (default)

1-2 = ON = Password deleted

### - P2 and P13 - PARITY CHECK

2-3 (P2) = ON = Parity check active (default)

1-2 (P2) = ON = No parity check

1-2 (P13) = ON = Parity check active (default)

2-3 (P13) = ON = No parity check

### - P3 - BIOS ROM ADDRESS

2-3 = ON = address E0000 (default)

1-2 = ON = address C0000

### - P4 - CMOS RAM BATTERY CONNECTION

ON = Battery Connected

OFF = Battery Disconnected

### - P5, P6, P7, P8, P9, P10 - JUMPERS FOR DRIVE CONFIGURATION (see page 1-21).

When replacing the motherboard check that the jumper settings correspond to those on the old one - see instructions described on page 3-9. Removal and replacement of motherboard.

## 5. REMOVALS

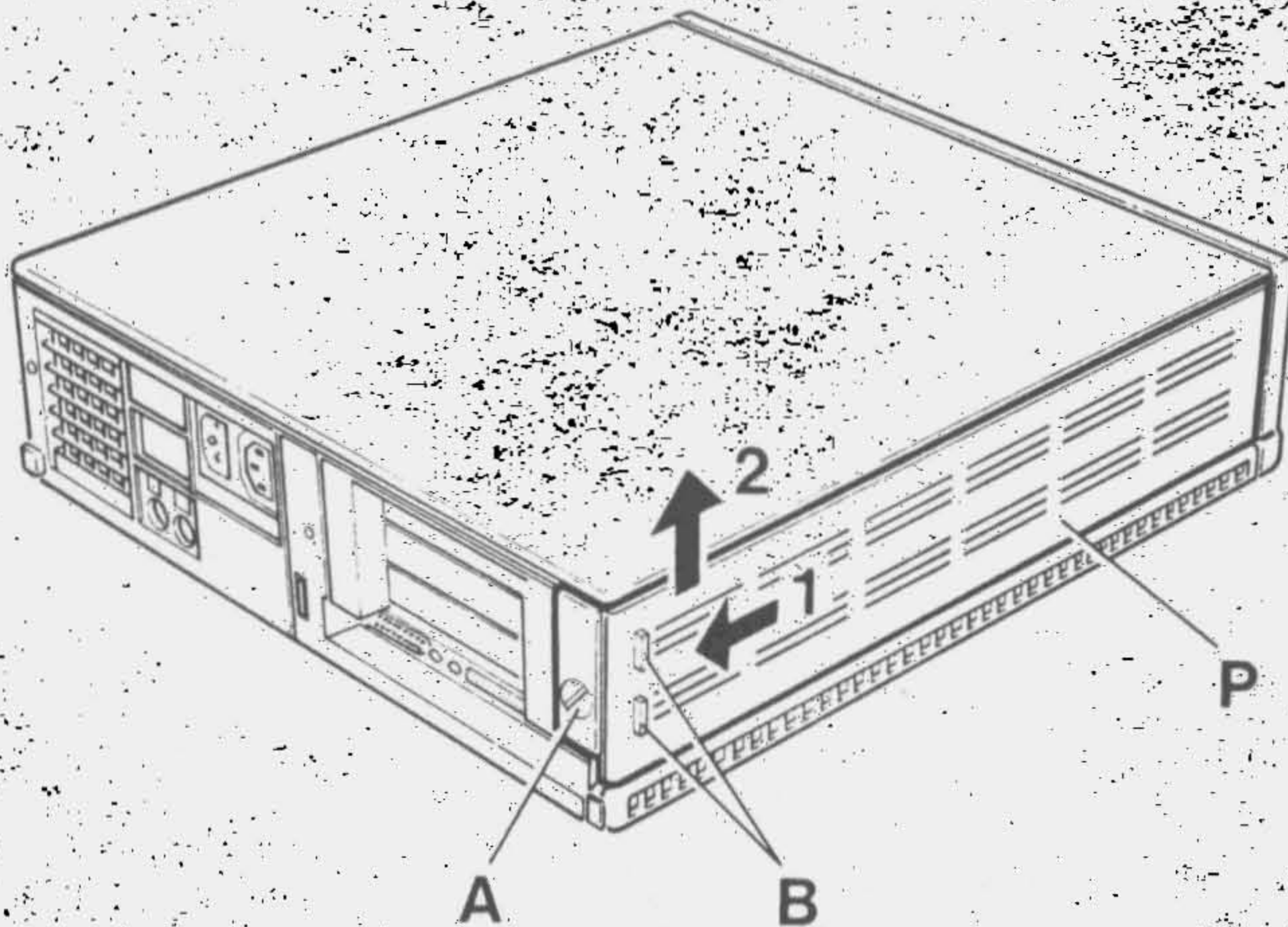
The sequence of removal procedures is related to the position of the units in the system. The re-assembling should be done following the removal procedure in reverse sense.

The removal of the video is described in section 4.

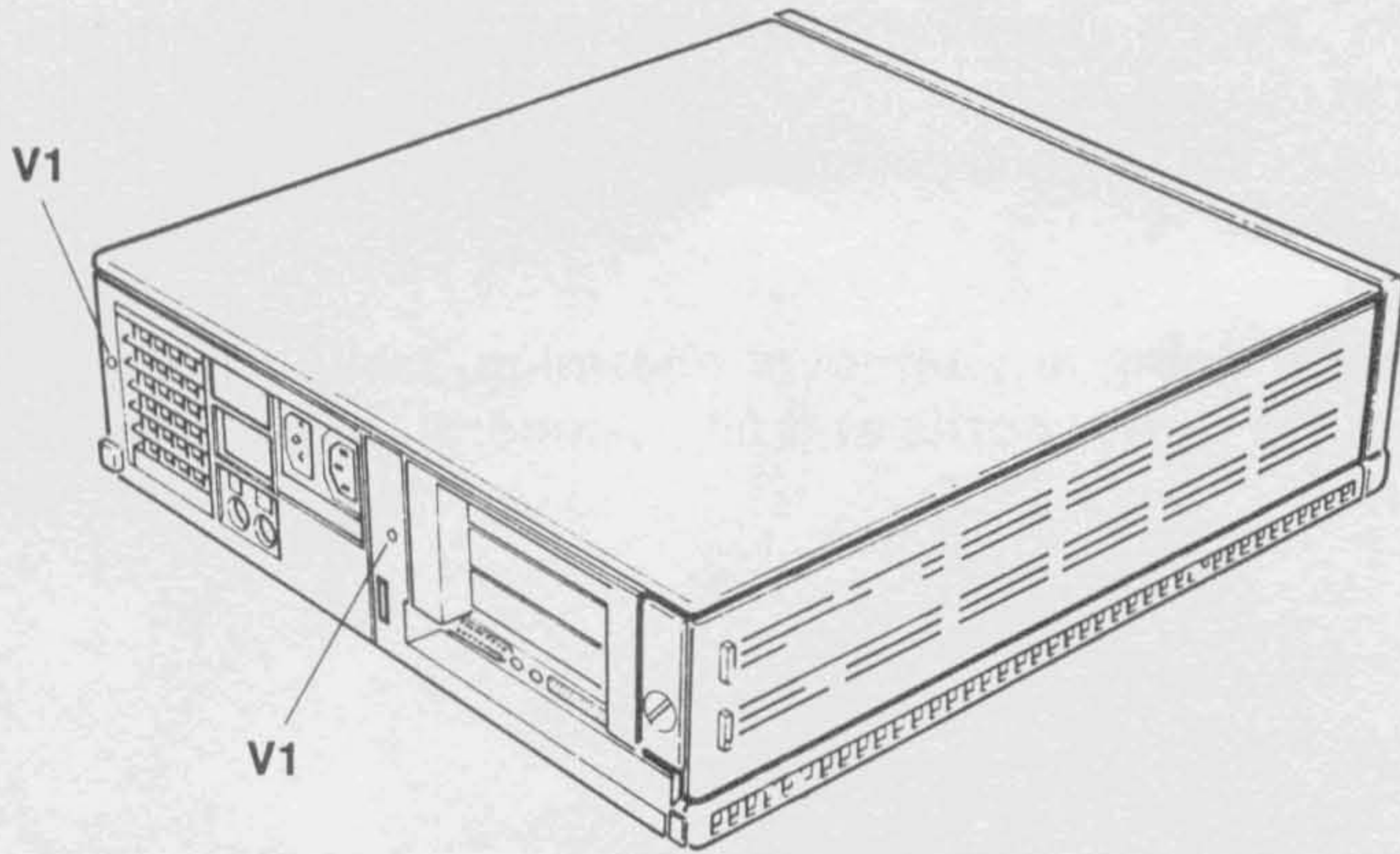
**NOTE:** Before doing any removal operation, switch the system OFF, disconnect the power cords and all peripheral units connected to the system.

### 5.1 COVER

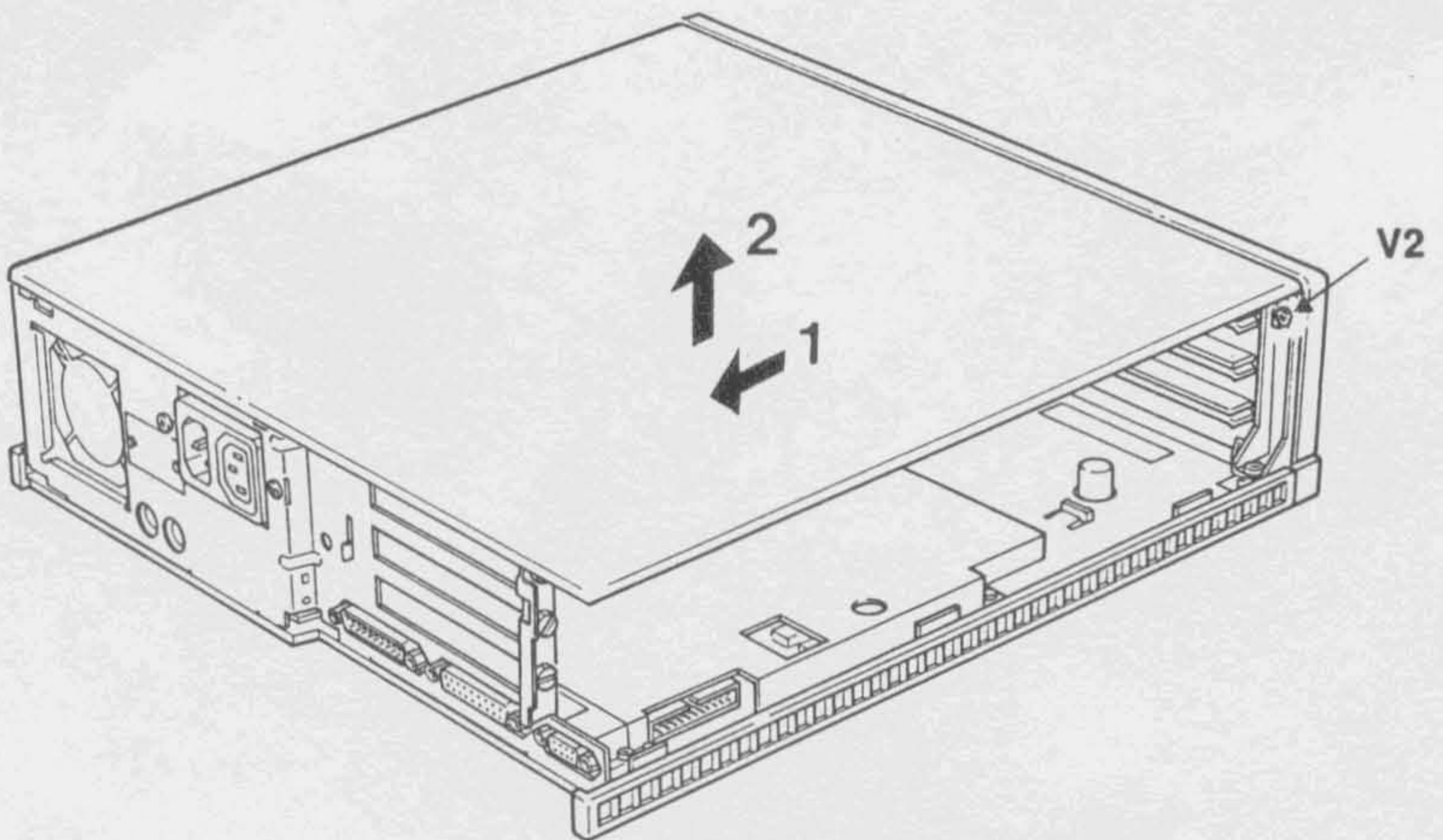
1) Rotate the plastic screw A to OPEN position. Then by acting on wings B, shift the side panel P.



2) Remove the back panel (two screws V1).



3) Remove screw V2, then press the button of the side panel and simultaneously slide the cover away.



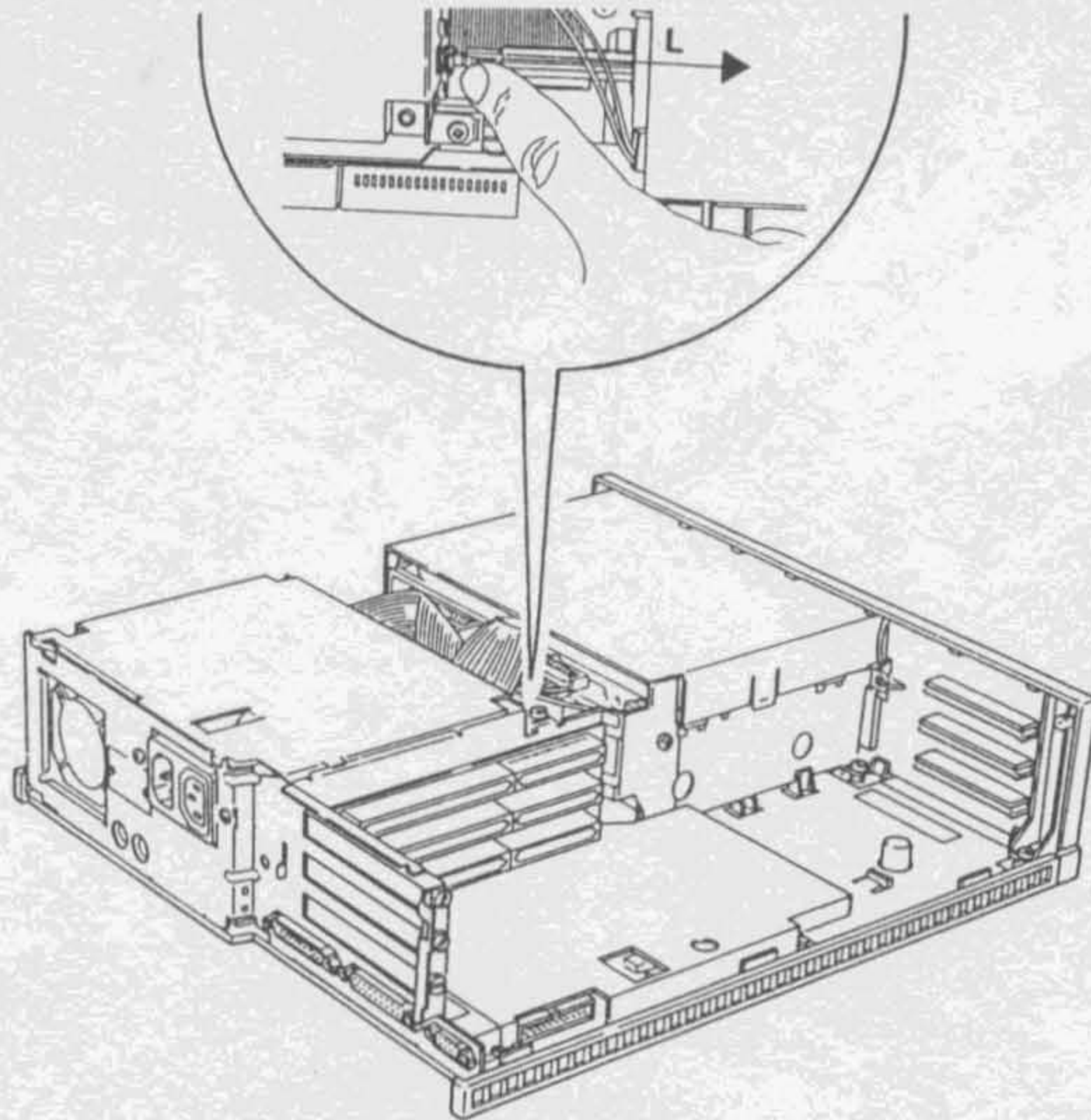
## 5.2 POWER SUPPLY UNIT

The power supply unit and the fan are assembled together on the same support.

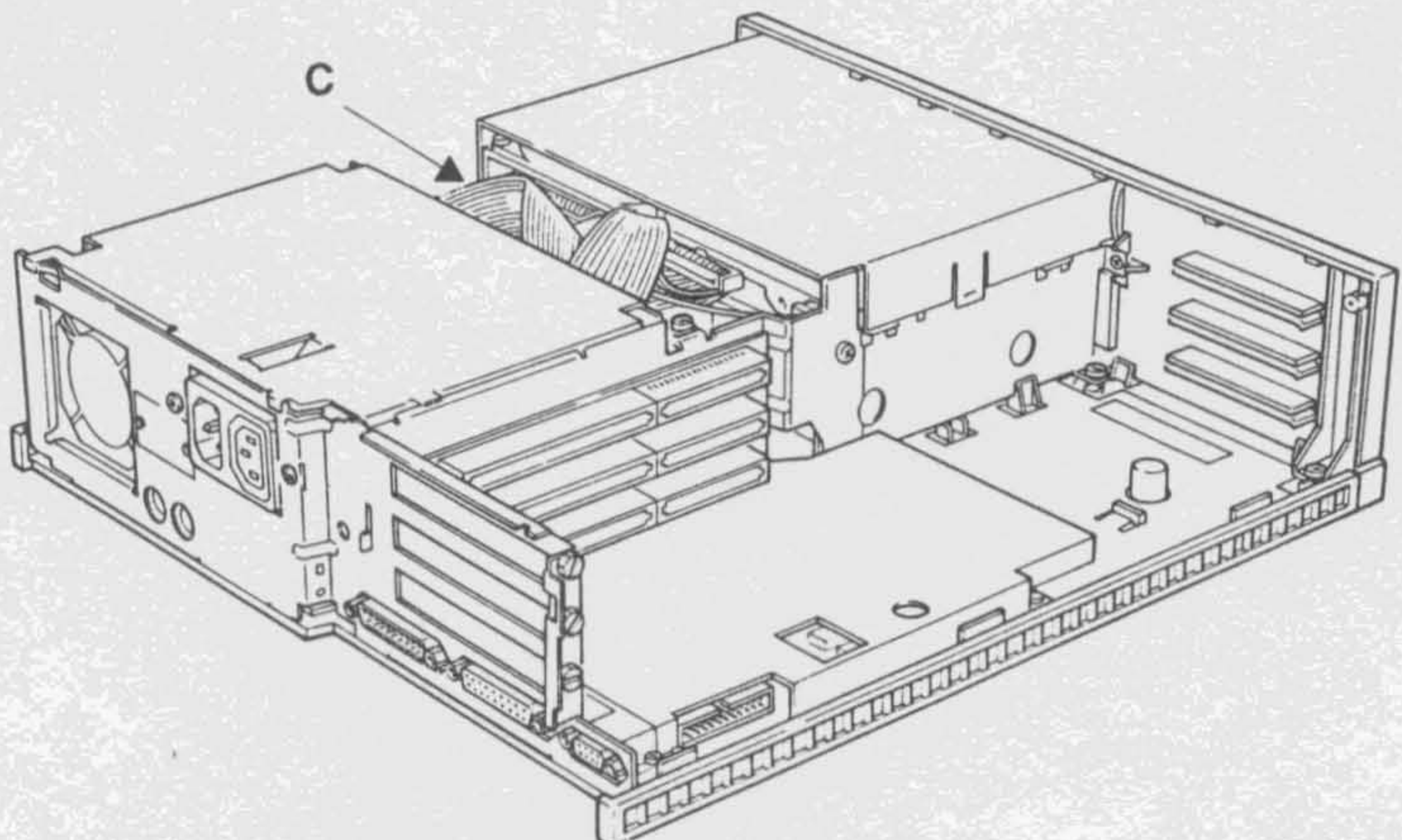
To remove the power supply unit:

1) Remove the cover.

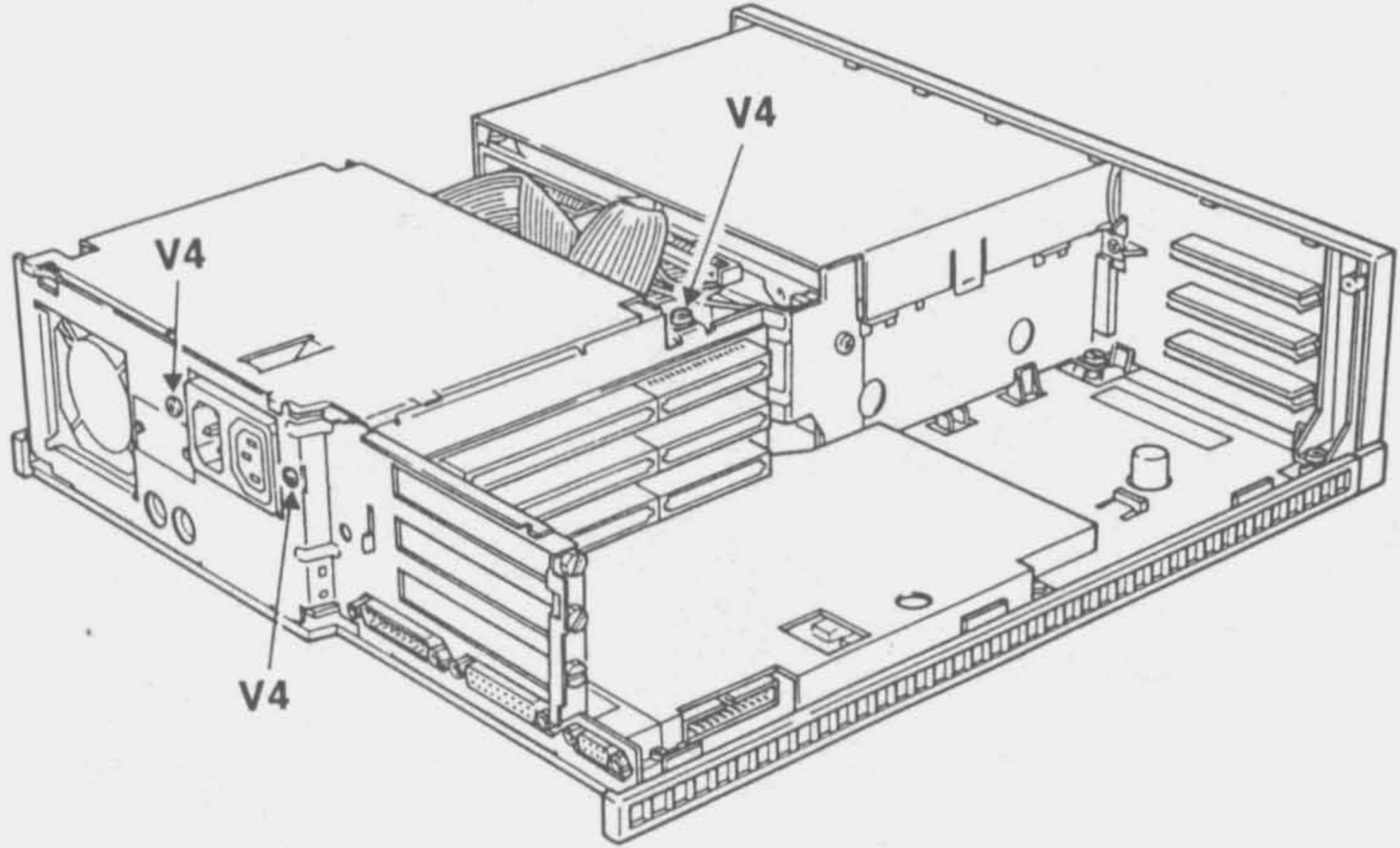
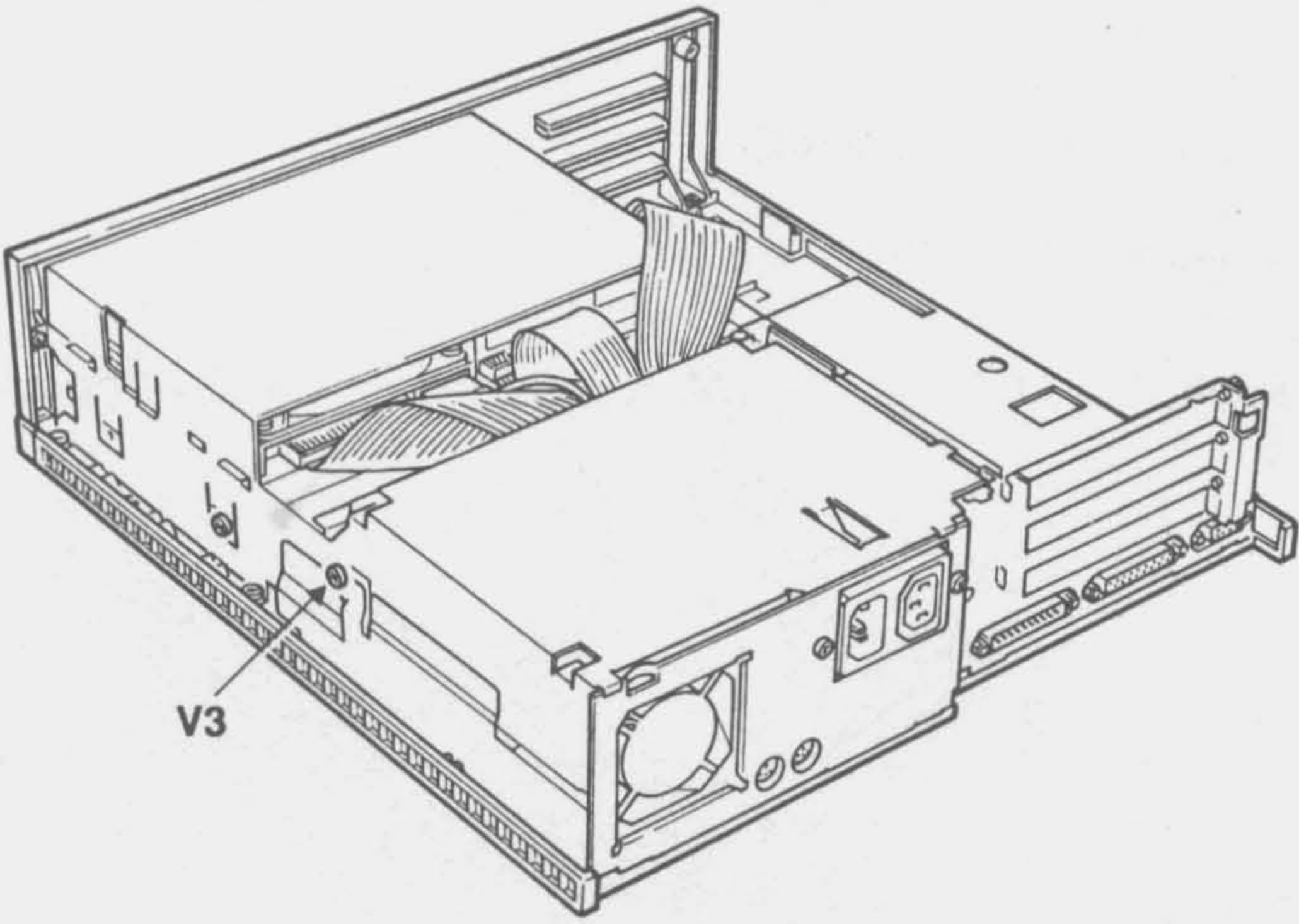
2) Set the switch ON/OFF to ON then unhook (see the arrow) the switch lever L.



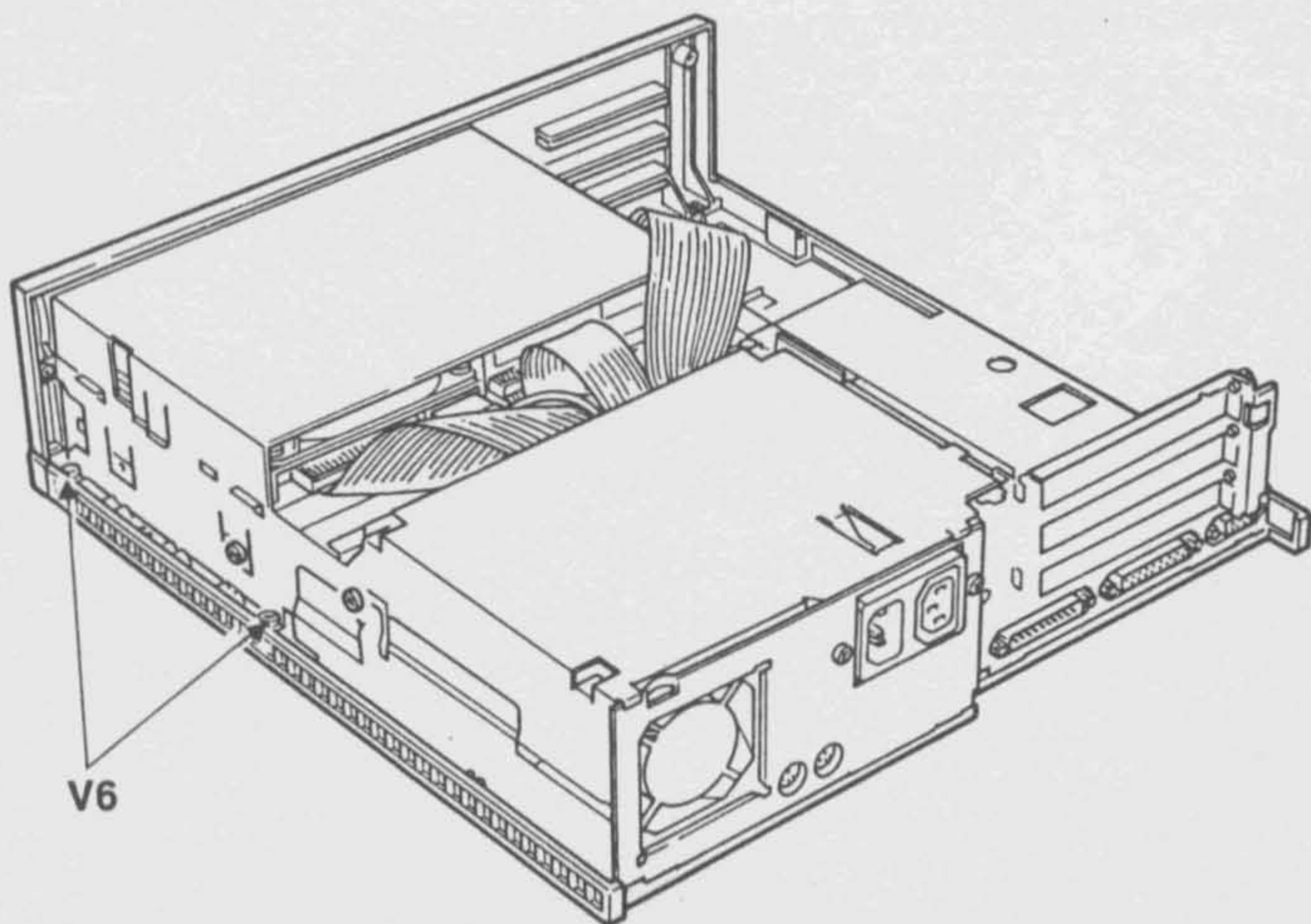
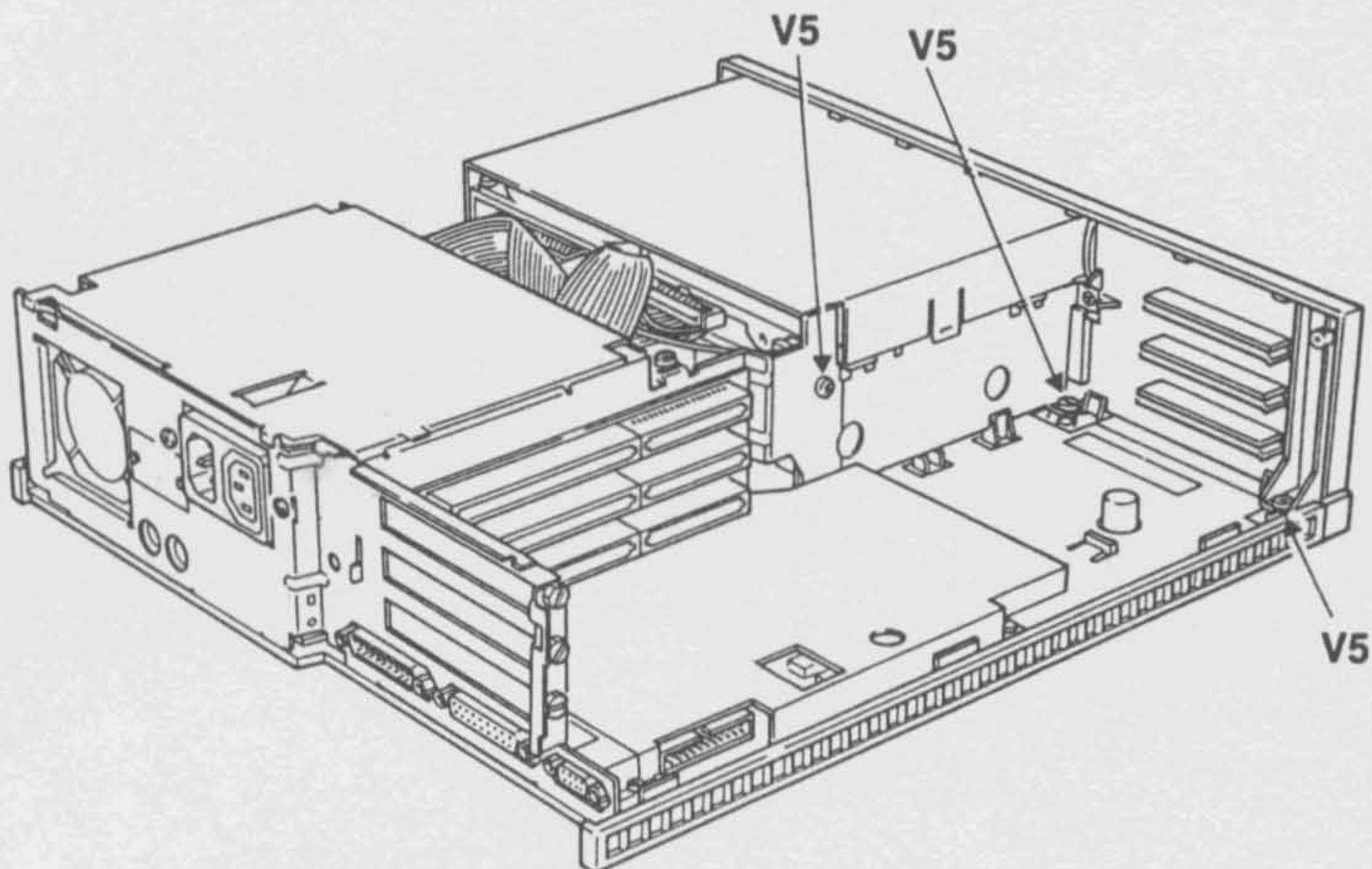
3) Disconnect the power supply wirings C from drives.



4) Loosen the screw V3, then remove the three screws V4.



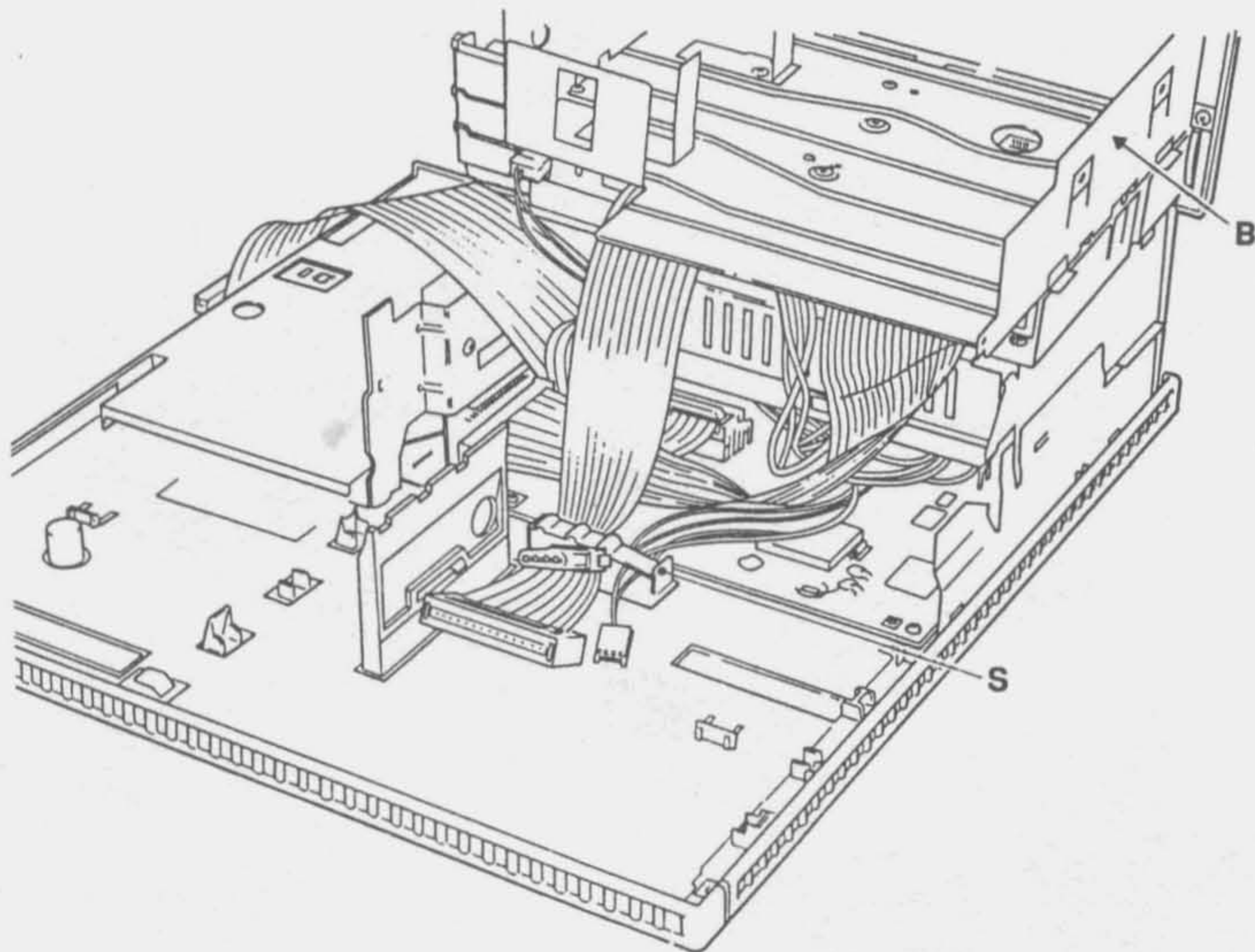
5) Remove screws V5 and V6 of the drive support unit.





6) Upset the drive support unit B on the power supply unit.

7) Release the wire clip S and pull out the wires.



8) Re-place the drive support unit B to its position.

9) Remove the power supply unit from its support then set it vertically on the drive unit.

