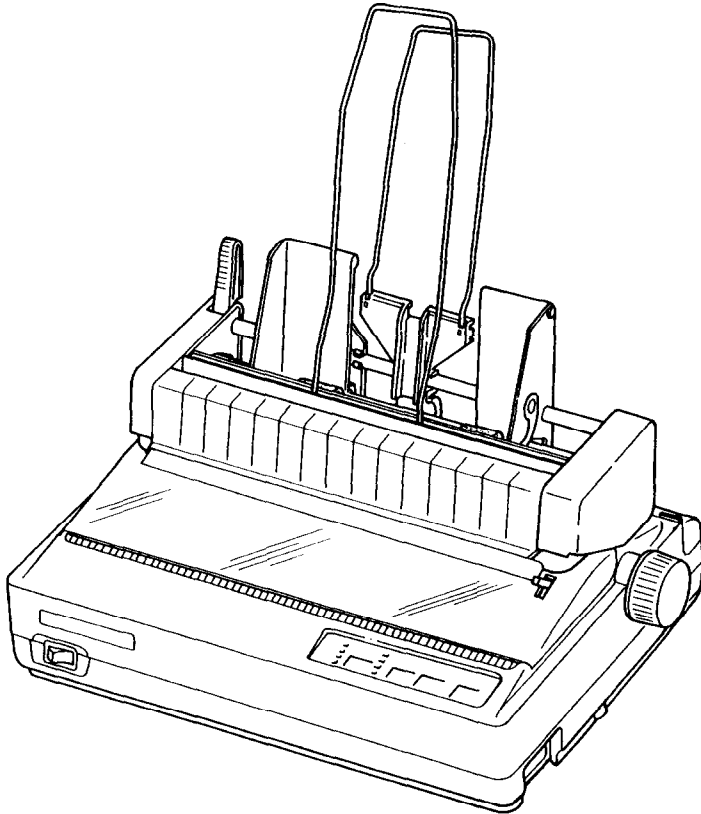


# SF-10DJ/10DK

*Automatic Sheet Feeder*

**USERS MANUAL**



# TABLE OF CONTENTS

<b>CHAPTER 1</b>	<b>INSTALLATION</b>	<b>1</b>
	Unpacking	
	Mounting the Automatic Sheet Feeder	
<b>CHAPTER 2</b>	<b>OPERATION</b>	<b>5</b>
	Loading the Paper	
	Operation of Control Codes	
<b>CHAPTER 3</b>	<b>MAINTENANCE</b>	<b>8</b>
	Maintenance	
	Malfunctions	
<b>CHAPTER 4</b>	<b>SPECIFICATIONS</b>	<b>10</b>
	Dimensions and Weight	
	Paper Type and Dimensions	
	Printing Area	
	Hopper Capacity	
	Stacker Capacity	
	Reliability	
	Ambient Conditions	

## *NOTICE*

- All rights reserved. Reproduction of any part of this manual in any form whatsoever without STAR's express permission is forbidden.
- The contents of this manual are subject to change without notice.
- All efforts have been made to ensure the accuracy of the contents of this manual at the time of press. However, should any errors be detected, STAR would greatly appreciate being informed of them.
- The above notwithstanding, STAR can assume no responsibility for any errors in this manual.

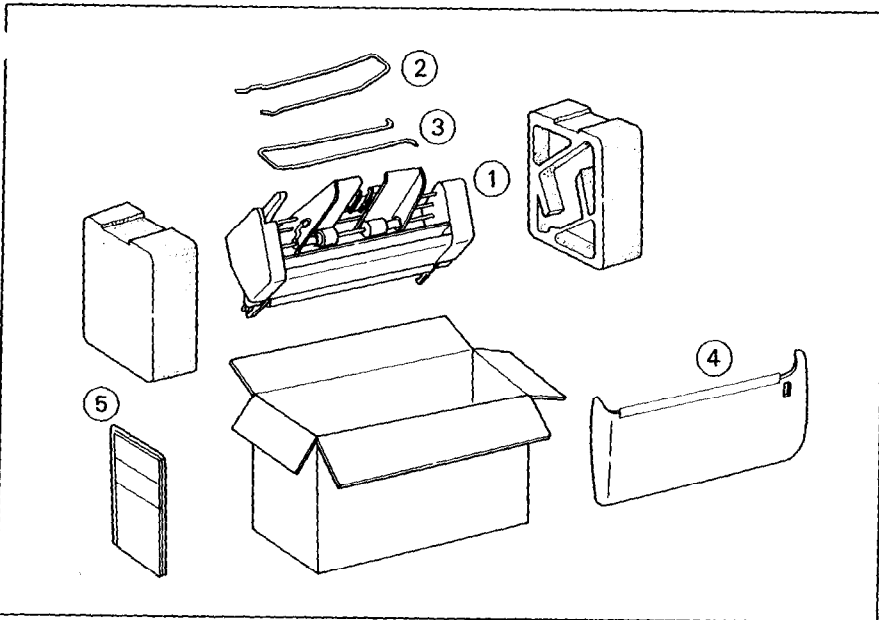
© Copyright 1988 Star Micronics Co., Ltd.

# Chapter 1

## INSTALLATION

### UNPACKING

Open the carton and check each item in the box against Figure 1-1 to make sure that you have everything (there should be five items).

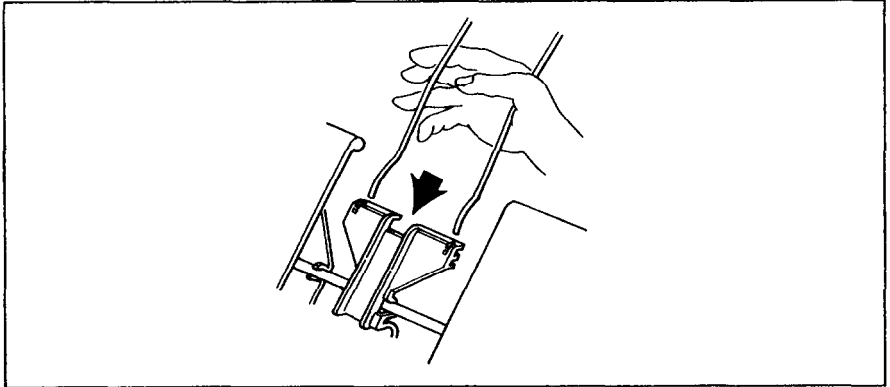


**Figure 1-1.** Check to make sure you have all five items: 1) Sheet feeder, 2) Hopper attachment, 3) Stacker attachment, 4) Printer cover, and 5) User's manual.

**Note:** Please retain the box and packaging materials in case you need to transport the Automatic Sheet Feeder.

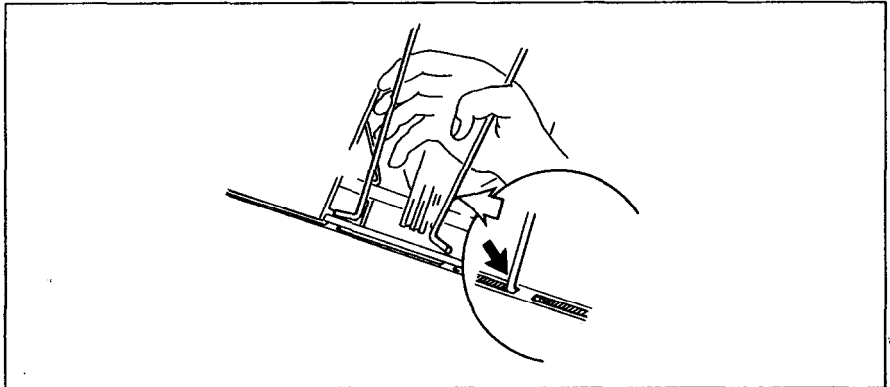
## MOUNTING THE AUTOMATIC SHEET FEEDER

1. Hold the metal hopper attachment as shown in Figure 1-2, and insert it firmly into the fixing holes on the top part of the hopper support.



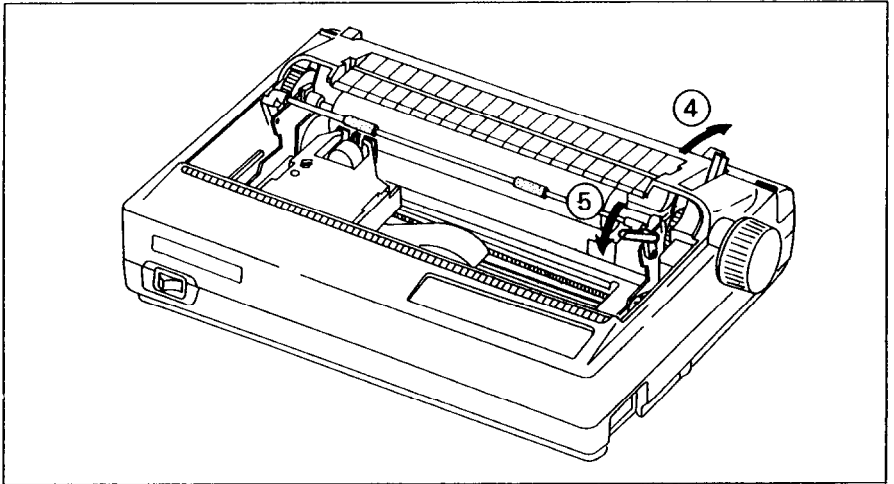
**Figure 1-2.** Insert the hopper attachment.

2. After you've inserted the hopper attachment, insert the stacker attachment, squeezing it with your hand, into the fixing groove in the front part of the main body as shown in Figure 1-3.



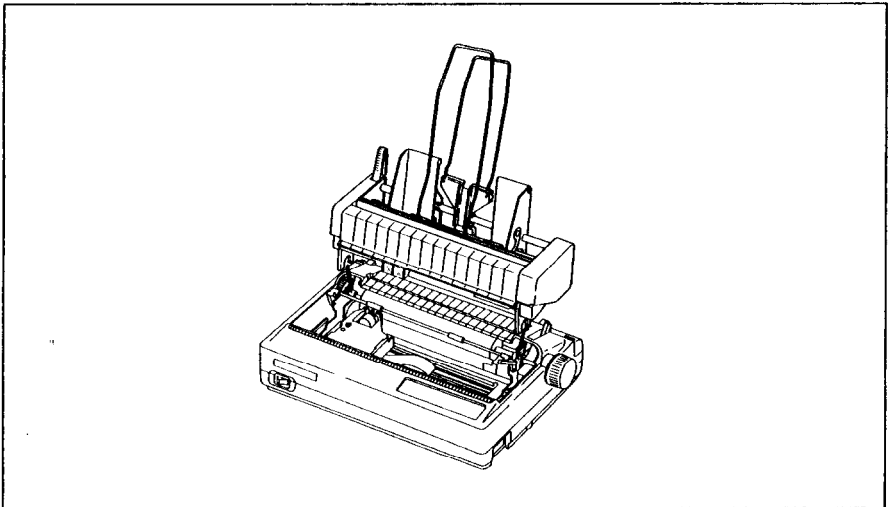
**Figure 1-3.** Insert the stacker attachment.

3. Check that printer power is OFF. Then remove both the printer cover and the paper guide from the printer.
4. Move the release lever at the back of the printer to the down position as shown in Figure 1-4.
5. Move the bail lever on top of the printer forward to open the paper bail.



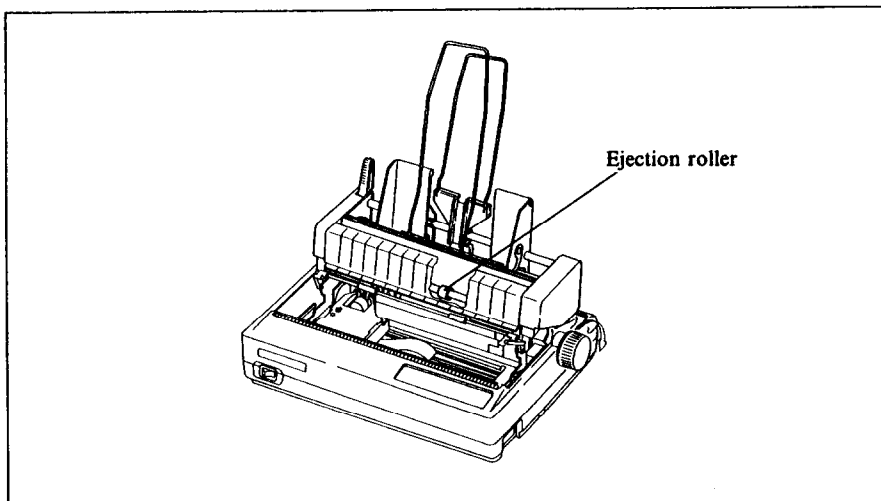
**Figure 1-4.** Move the release lever and the bail lever to mount the Automatic Sheet Feeder.

6. Secure the mounting brackets of the Automatic Sheet Feeder onto the shaft of the platen by lowering it into position as shown in Figure 1-5.



**Figure 1-5.** Mount the Automatic Sheet Feeder onto the printer.

7. Confirm that the mounting brackets on both sides of the Automatic Sheet Feeder are correctly engaged on the printer. When they are engaged correctly, the ejection roller can be rotated by turning the platen knob.



**Figure 1-6.** Confirm that the Automatic Sheet Feeder is set correctly.

8. Install the printer cover provided with the Automatic Sheet Feeder.

- Notes:**
1. Please keep the original printer cover in a safe place.
  2. To remove the Automatic Sheet Feeder, carry out the above installation procedures in reverse.

---

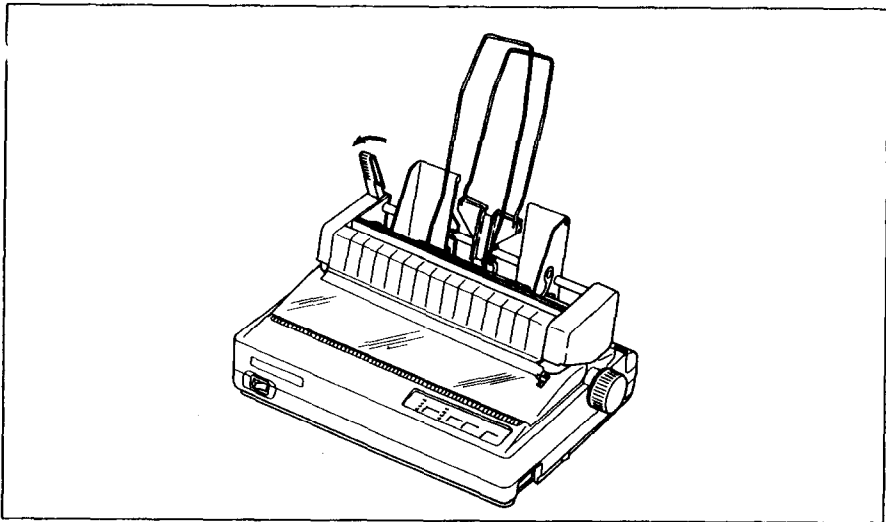
# Chapter 2

## OPERATION

---

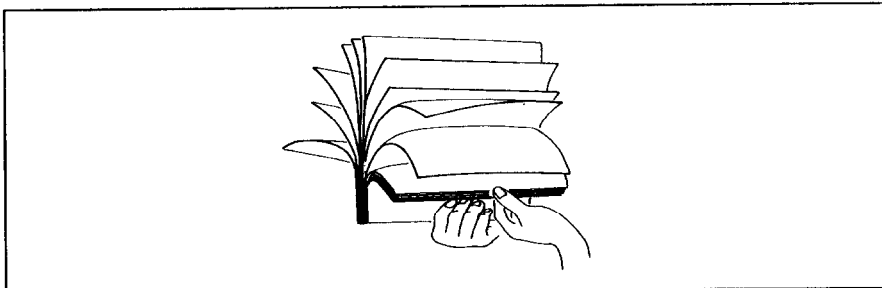
### LOADING THE PAPER

1. Pull the paper loading lever forward to bring the pressure plate back into position with a clicking sound as shown in Figure 2-1.



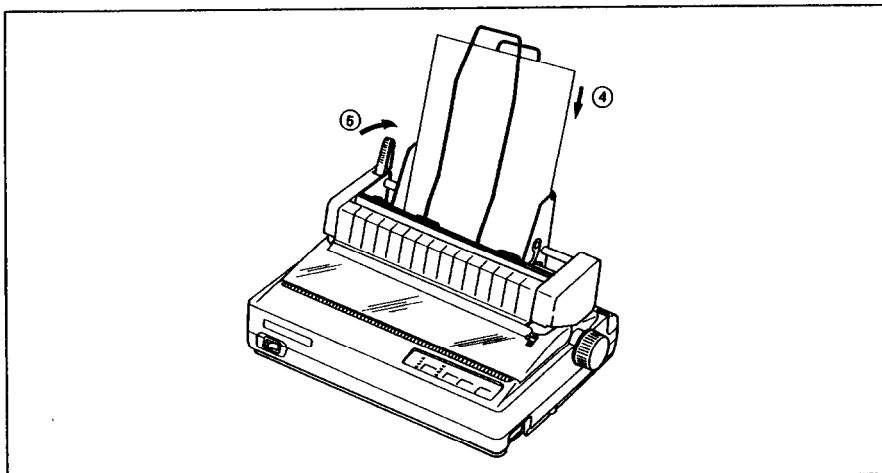
**Figure 2-1.** Pull the paper loading lever forward.

2. Align the left paper guide position with the triangle seal on the side of the stacker.
3. Fan the paper before loading as shown in Figure 2-2, and line up the edges of the paper evenly.



**Figure 2-2.** Fan the paper before loading.

4. Load the paper, aligning it with the left side hopper, then sliding the right hopper into position. Do not set it too tightly, so as to allow the paper to be transported smoothly between the hoppers.
5. After loading the paper into the hopper, press the paper loading lever backward. The paper will be set into position between the hoppers and the hopper roller.



**Figure 2-3.** After loading the paper, press the paper loading lever backward.

**Note:** When you are not going to use the printer again for some time, or at the end of the day's operation, be sure to remove any paper in the printer. Paper left in the printer may become deformed by the platen.



## OPERATION OF CONTROL CODES

When the paper-out detector is enabled by setting the DIP switch, the following control codes will be changed as shown below:

1. <FF> (Form Feed)  
This command sets the paper into the printer. It ejects any paper set in the printer when the Automatic Sheet Feeder is empty.
2. <LF> (Line Feed)  
If a line feed operation results in going over the page length, the next sheet of paper is fed in to the printer.
3. <VT> (Vertical Tab)  
This command functions as a line feed operation.
4. Vertical tab position setting command  
This command is ignored.
5. Page length setting command  
The page length setting is ignored, and is set to the paper size in actual use.

When the paper-out detector is disabled by setting the DIP switch, the control codes will be function normally.

---

# Chapter 3

## MAINTENANCE

---

### MAINTENANCE

The Automatic Sheet Feeder is designed to withstand long use with high reliability. We ask users to regularly remove any dirt or dust from the Automatic Sheet Feeder, first removing it from the printer. The platen of the printer mechanism and roller in particular should be kept clean.

### MALFUNCTIONS

Malfunctions may be resolved by simple inspection, so please check the following items:

Symptom	Cause	Remedy
Automatic Sheet Feeder does not operate	<ul style="list-style-type: none"><li>• Not in Automatic Sheet Feeder mode</li><li>• Paper stacked incorrectly</li><li>• Platen &amp; feeder not operating together</li></ul>	<ul style="list-style-type: none"><li>• Set DIP switch correctly</li><li>• Set paper correctly</li><li>• Check Automatic Sheet Feeder mounting</li></ul>
Paper does not feed into printer	<ul style="list-style-type: none"><li>• Out of paper</li><li>• Paper jammed</li><li>• Paper loading lever forward</li></ul>	<ul style="list-style-type: none"><li>• Load paper</li><li>• Remove jammed paper</li><li>• Press paper loading lever backward</li></ul>
More than 2 sheets transported	<ul style="list-style-type: none"><li>• Paper not fanned properly</li><li>• Incorrect paper specifications</li></ul>	<ul style="list-style-type: none"><li>• Load paper after fanning well</li><li>• Use paper suitable to Automatic Sheet Feeder specifications</li></ul>

<b>Symptom</b>	<b>Cause</b>	<b>Remedy</b>
Paper is crooked	<ul style="list-style-type: none"> <li>• Poor paper</li> <li>• Too much horizontal movement of paper so that guide rollers of the Automatic Sheet Feeder do not take up the paper correctly.</li> </ul>	<ul style="list-style-type: none"> <li>• Use new paper</li> <li>• Check position of the paper guide</li> </ul>
Malfunction of paper ejection	<ul style="list-style-type: none"> <li>• Full stacker (the part which stores the printed paper)</li> <li>• Paper does not match Automatic Sheet Feeder specifications.</li> </ul>	<ul style="list-style-type: none"> <li>• Empty stacker</li> <li>• Use paper suitable to Automatic Sheet Feeder specifications.</li> </ul>

If the Automatic Sheet Feeder still does not operate correctly after carrying out these simple checks, consult your dealer.

# Chapter 4

## SPECIFICATIONS

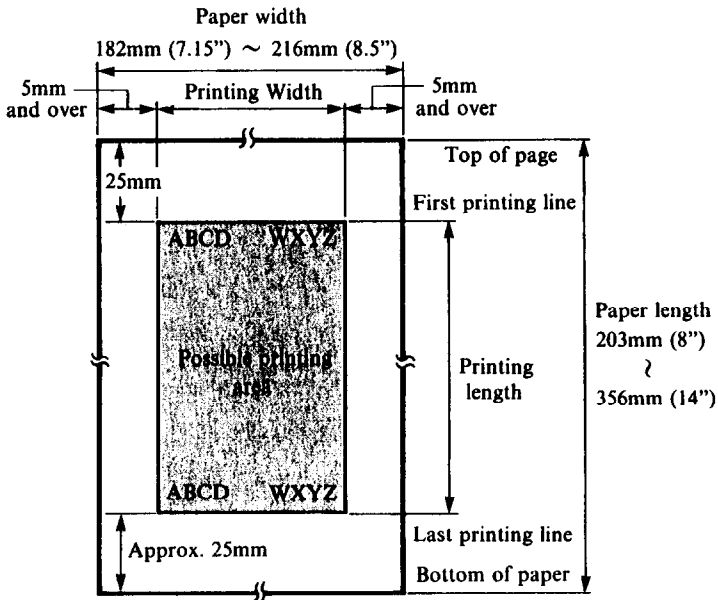
### ■ Dimensions and weight

Width	340 mm	(13.4 inches)
Depth	250 mm	( 9.8 inches)
Height	320 mm	(12.6 inches)
Weight:	1.2 kg	(2.65 pounds)

### ■ Paper type and dimensions

Type	Fine quality paper (slick paper)
Width	182 mm (7.15 inches) ~ 216 mm (8.5 inches)
Length	203 mm (8.0 inches) ~ 356 mm (14.0 inches)
Weight	60 g/m <sup>2</sup> ~ 90 g/m <sup>2</sup>
Storage	18 ~ 22 °C, 40 ~ 60 %

### ■ Printing area



■ **Hopper capacity**

Max. 50 sheets (with 64 g/m<sup>2</sup>)

■ **Stacker capacity**

Max. 50 sheets (with 64 g/m<sup>2</sup>)

■ **Reliability**

100,000 cycles  
(MCBF; Mean Cycle Before Failure)

■ **Ambient conditions**

Temperature

Operation

+5 ~ +40 °C

Storage

-30 ~ +70 °C

Humidity

Operation

30 ~ 80 % (no condensation)

Storage

20 ~ 95 % (no condensation)



# **Consumer Response**

Star Micronics Co., Ltd. invites your suggestions and comments on your printer and this manual. Please address your correspondence to:

*Worldwide Headquarters:*

STAR MICRONICS CO., LTD.  
194 Nakayoshida  
Shizuoka, JAPAN 422-91  
Attn: Product Manager

*American Market:*

STAR MICRONICS AMERICA INC.  
Pan Am Bldg., Suite 3510  
200 Park Avenue  
New York, NY 10166  
Attn: Product Manager

*European Market:*

STAR MICRONICS DEUTSCHLAND GMBH  
Mergenthalerallee 1-3.  
D-6236 Eschborn/Ts., WEST GERMANY  
Attn: Product Manager

*U.K Market:*

STAR MICRONICS U.K., LTD.  
Craven House  
40 Uxbridge Road  
Ealing, London, W5 2BS, U.K.  
Attn: Product Manager

*French Market:*

STAR MICRONICS FRANCE S.A.R.L.  
25, rue Michaël Faraday  
78180 Montigny-le-Bretonneux  
Attn: Product Manager

*Asian Market:*

STAR MICRONICS (S.E.A.) LTD.  
Room 2409-10 Sincere Building;  
173 Des Voeux Road Central, HONG KONG  
Attn: Product Manager

