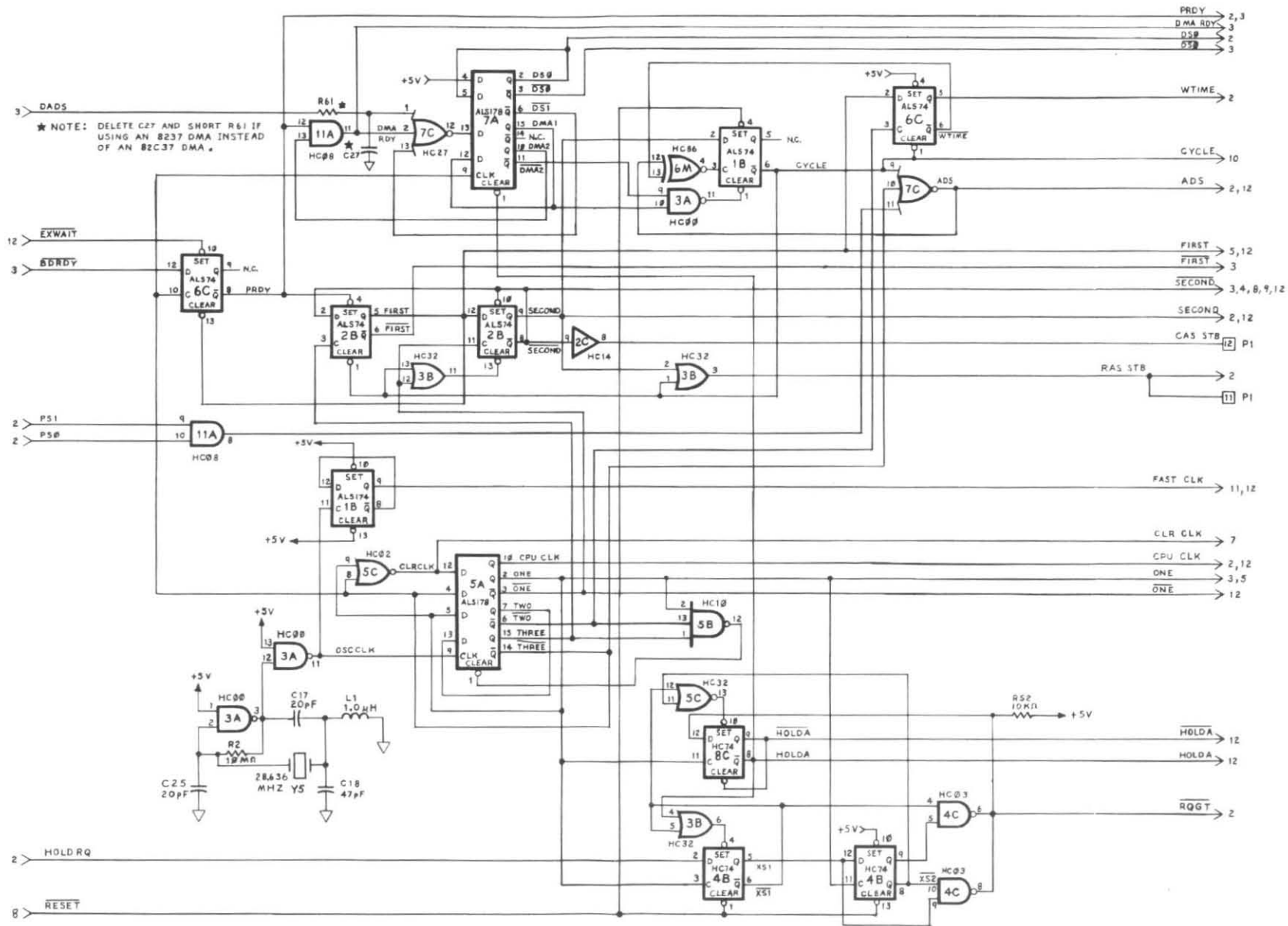


NOTE: THE ASTERISK (+) INDICATES THAT THESE BOARDS ARE EXTERNAL TO THE MAIN BOARD.

Figure A-0: Main Logic Board Block Diagram



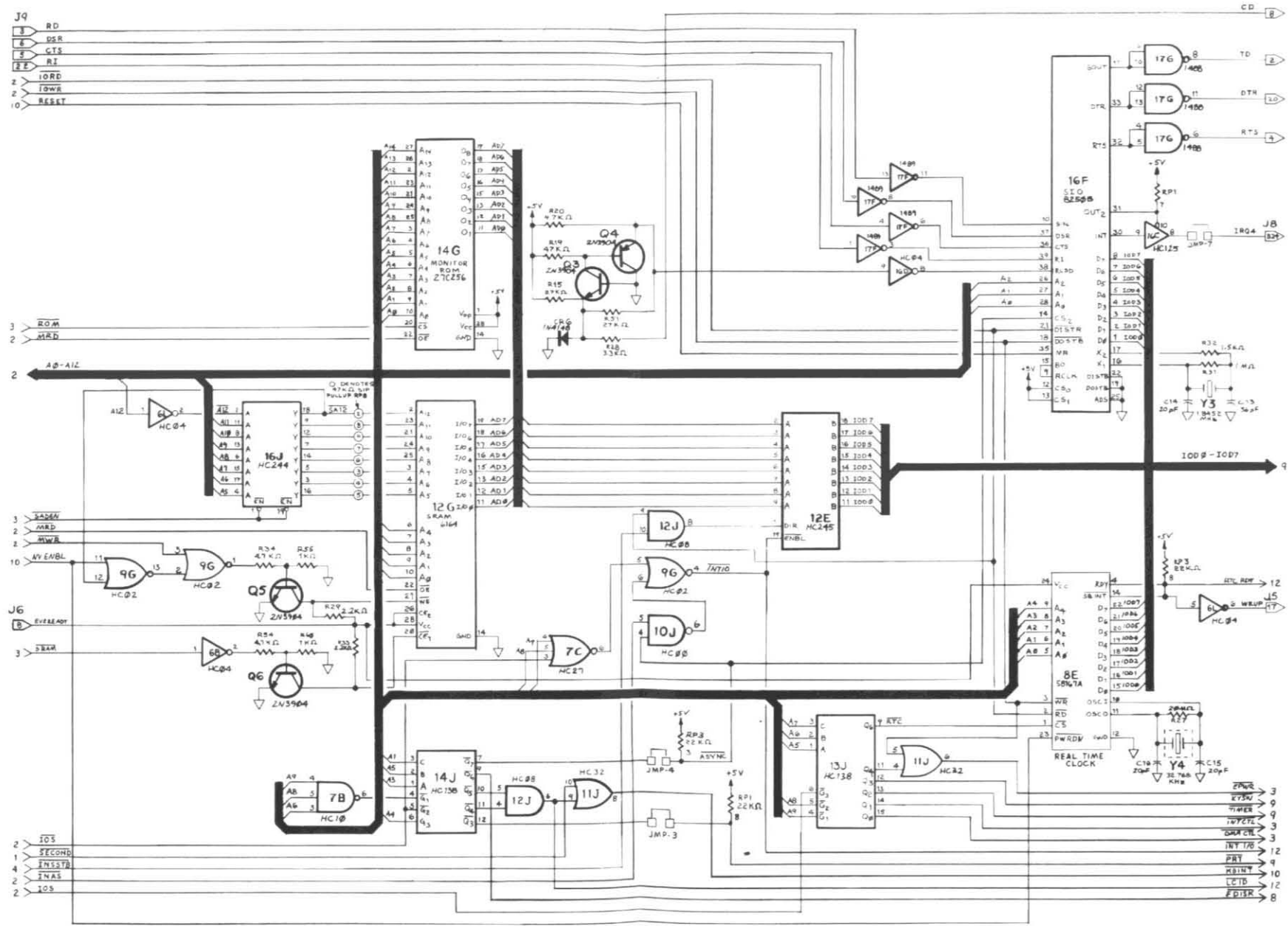


Figure A-4: SRAM, ROM, and SIO

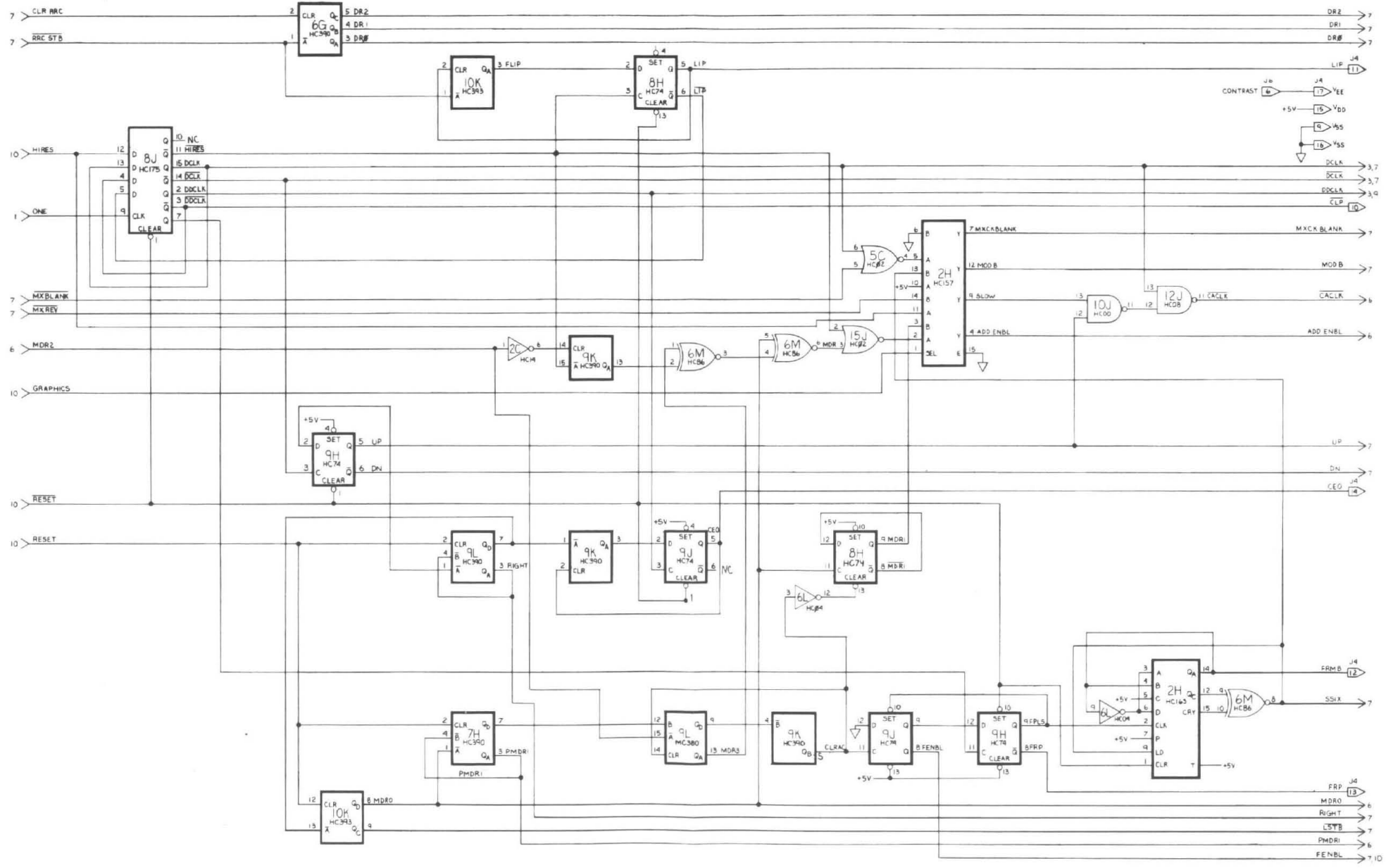


Figure A-5: Display Address Counter Logic

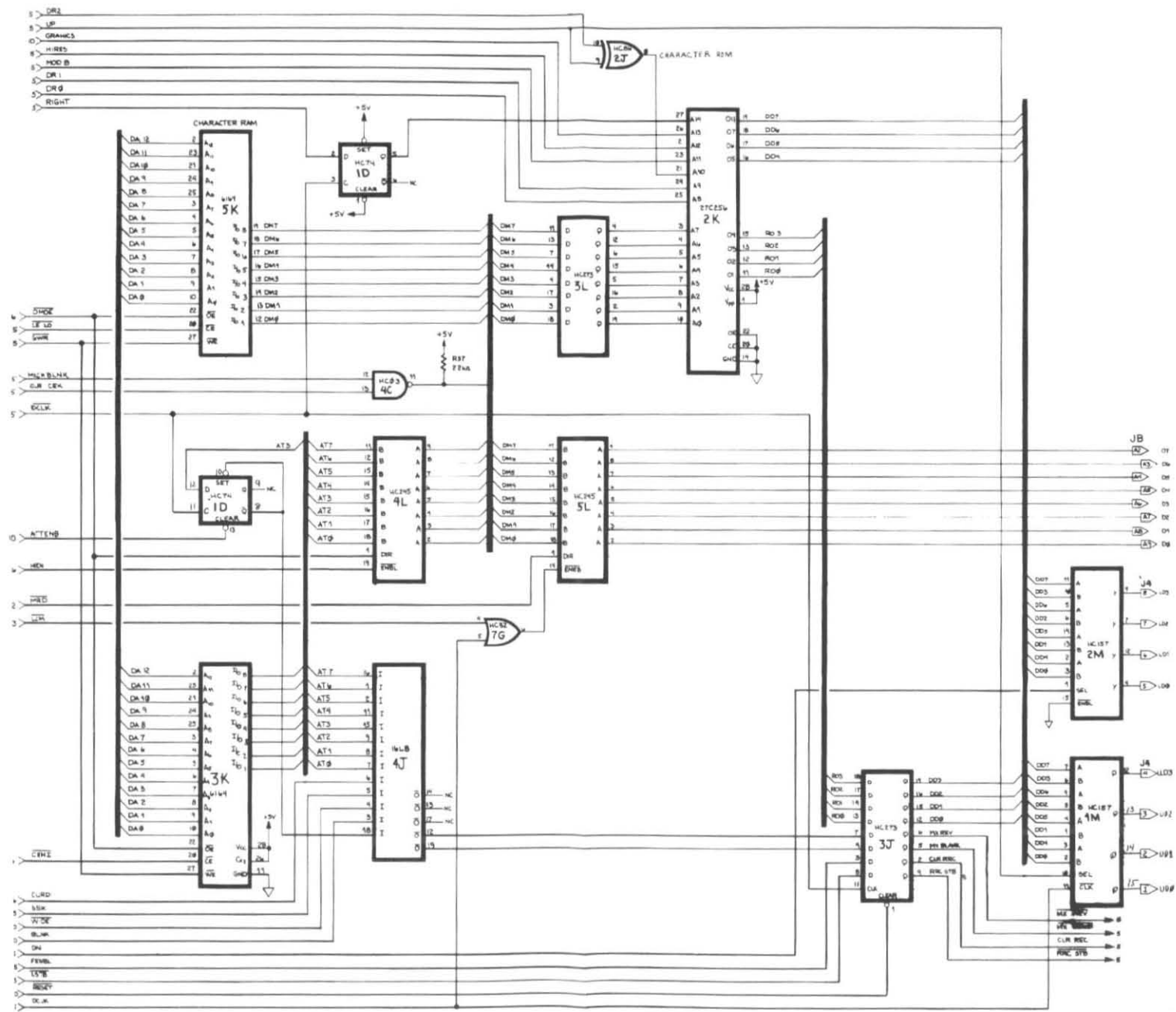


Figure A-7: Display Memory Interface

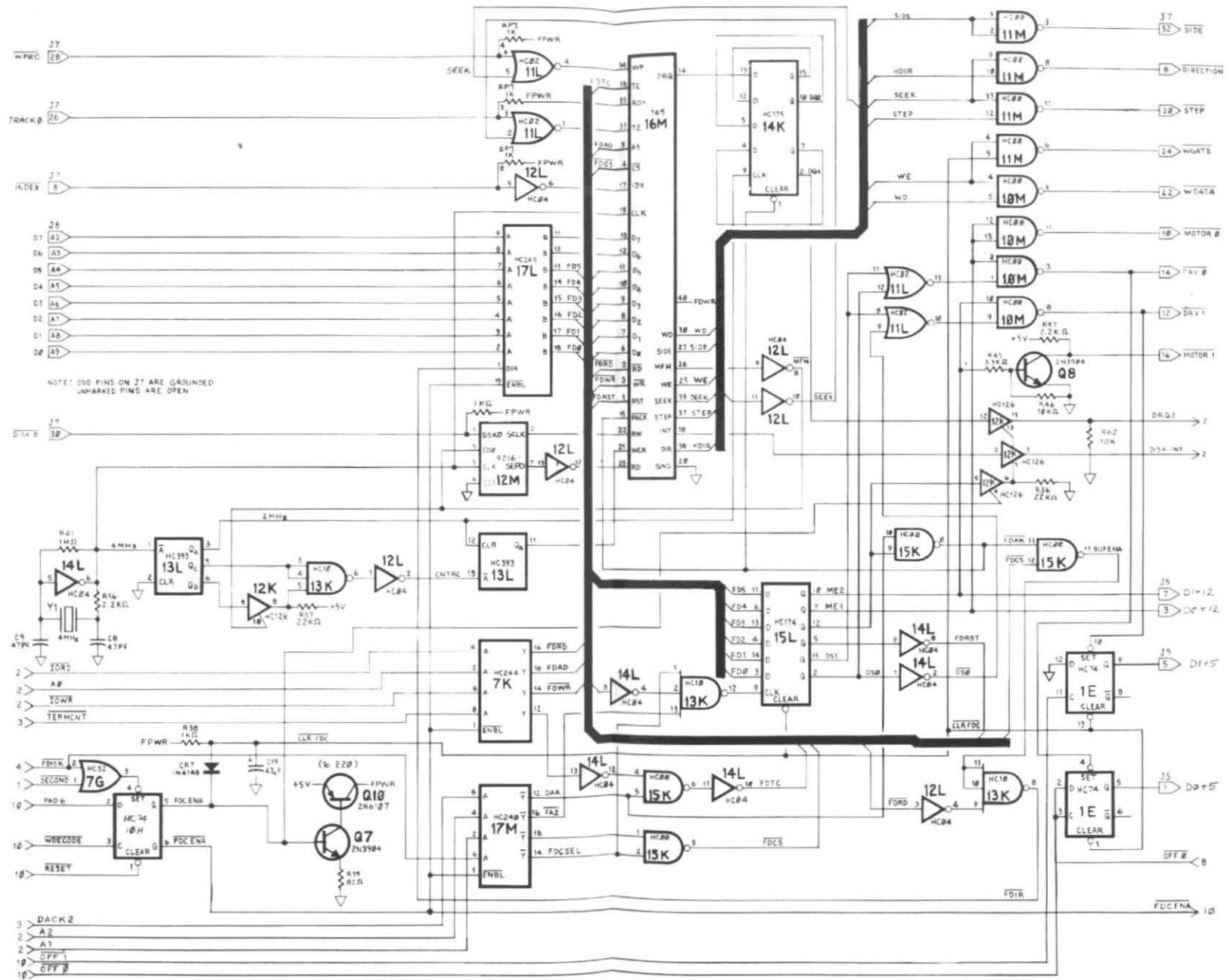


Figure A-8: Floppy Disk Interface

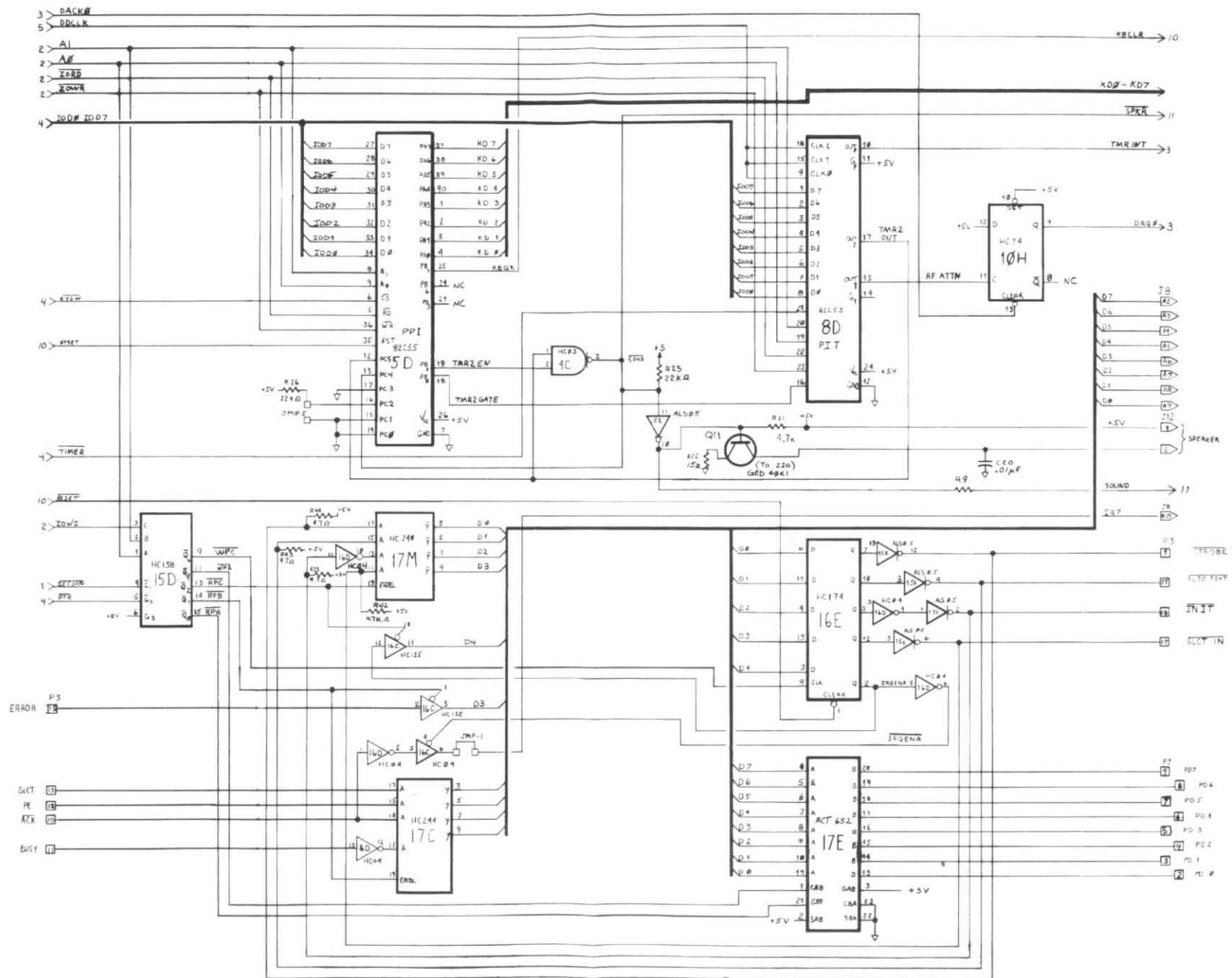


Figure A-9: Printer, Parallel Port, and Timer

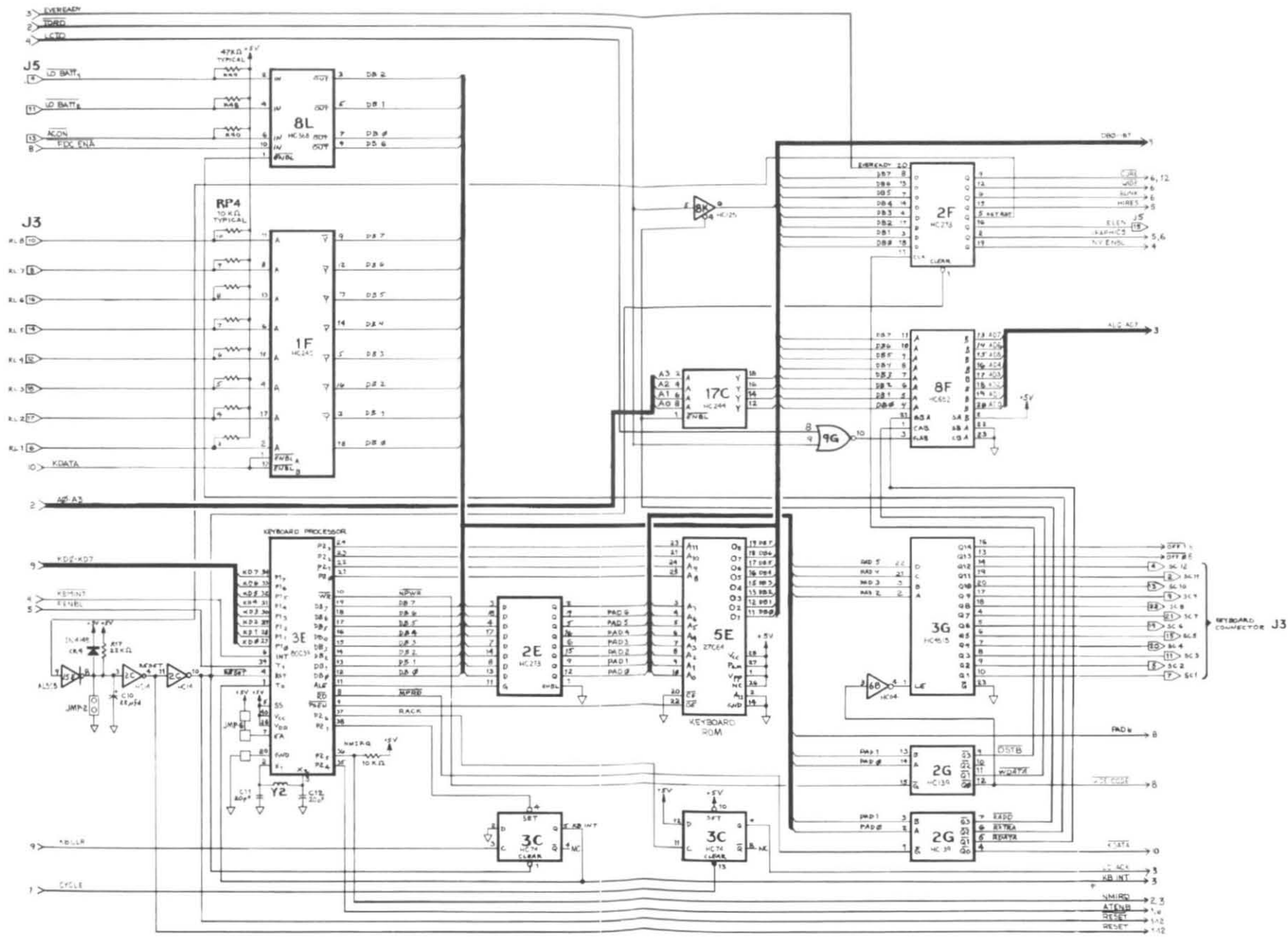


Figure A-10: Keyboard Processor

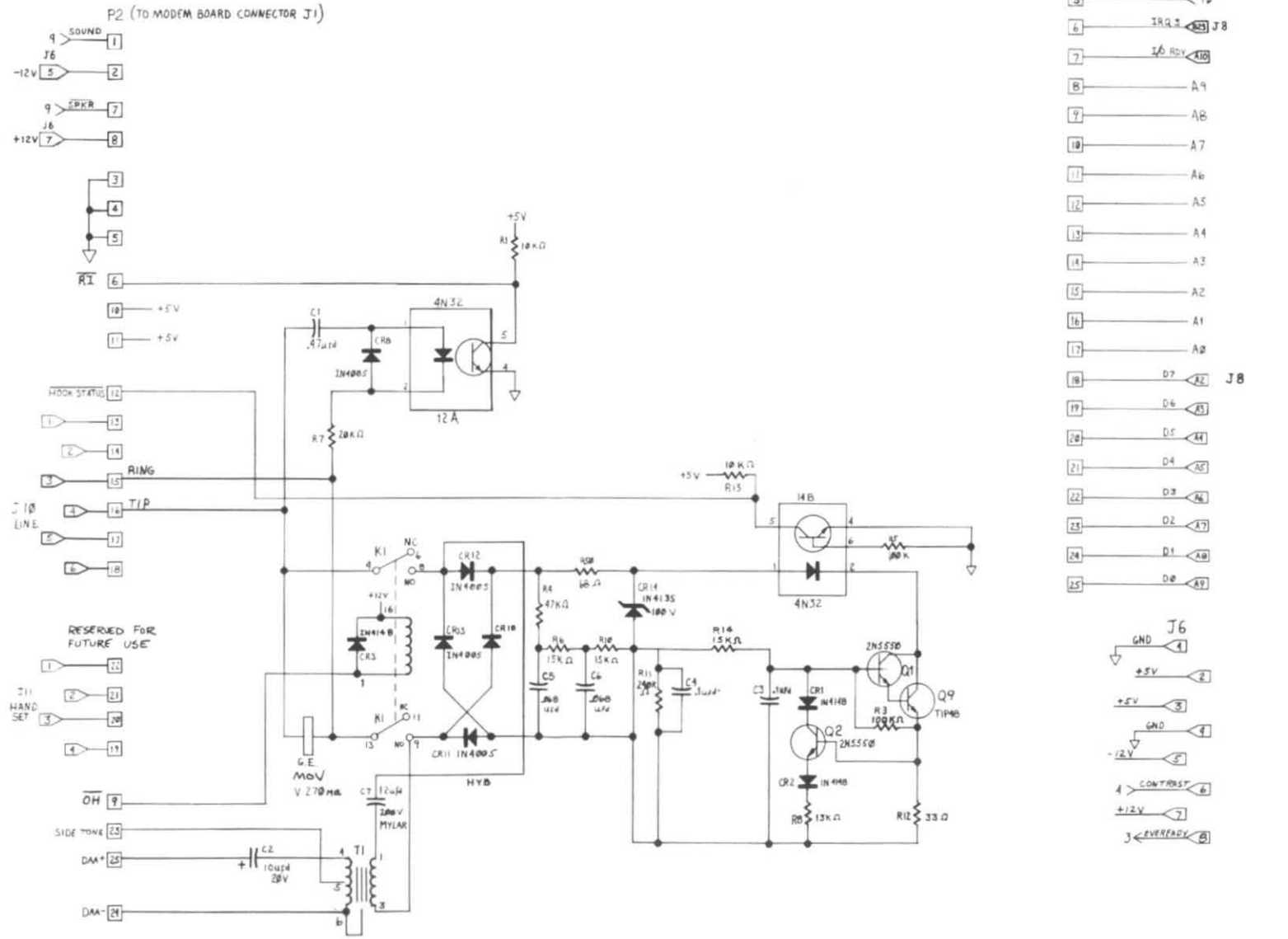


Figure A-11: Modem Board Interface

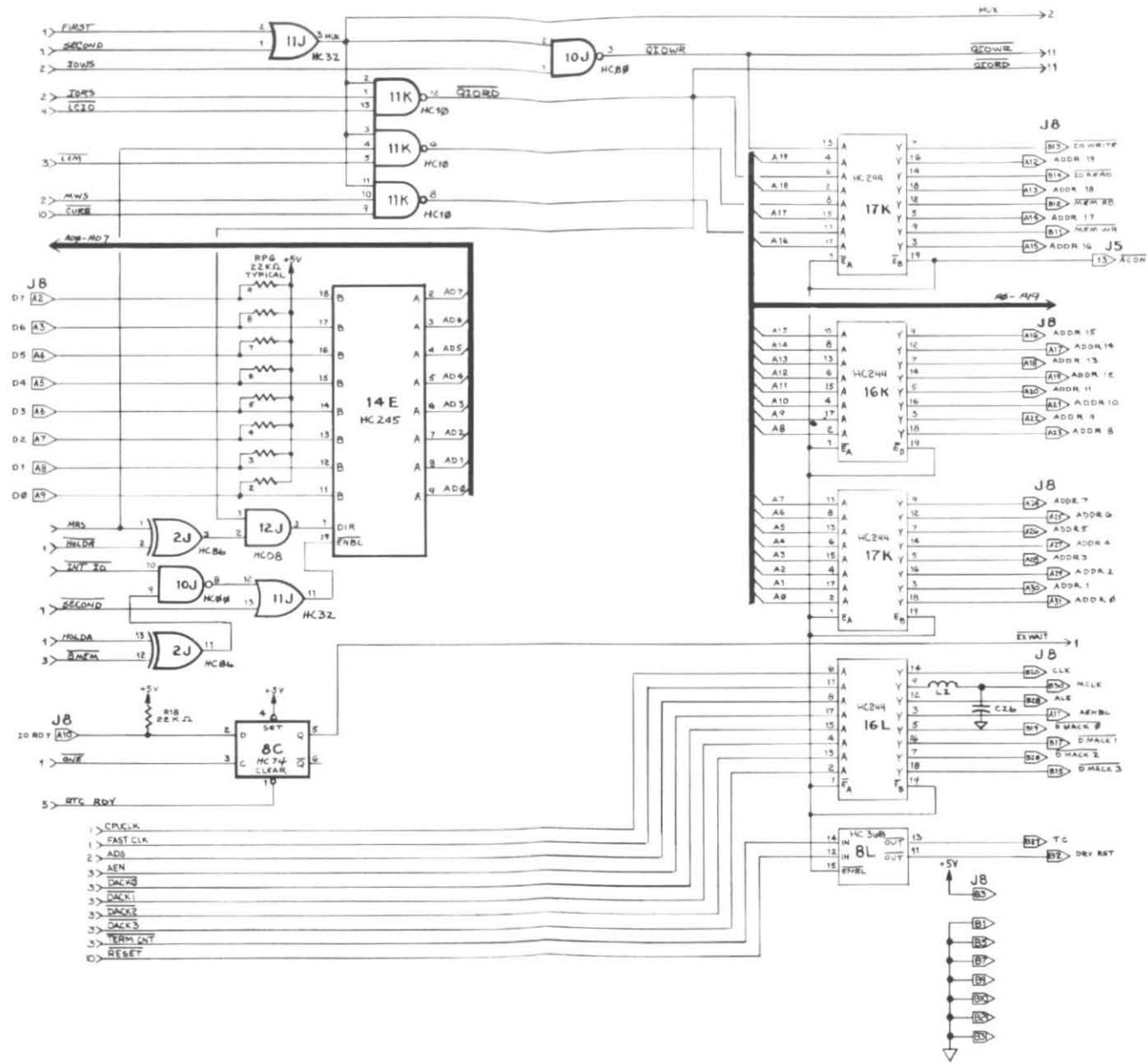


Figure A-12: External Bus Interface

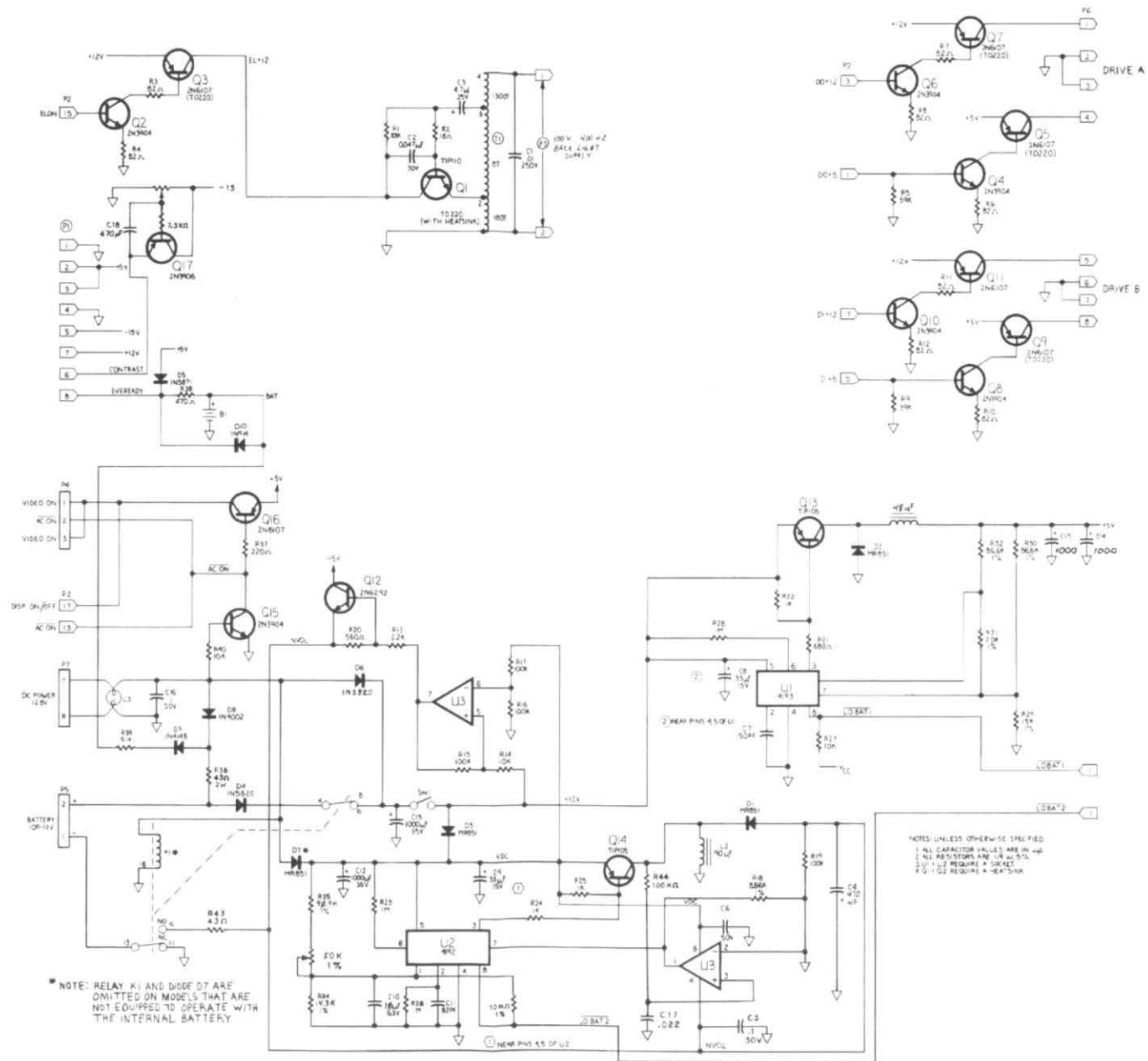


Figure A-13: Power Control Board

