

Floppy Disk Controller Card
360k/720k/1.2M/1.44M
User's Manual

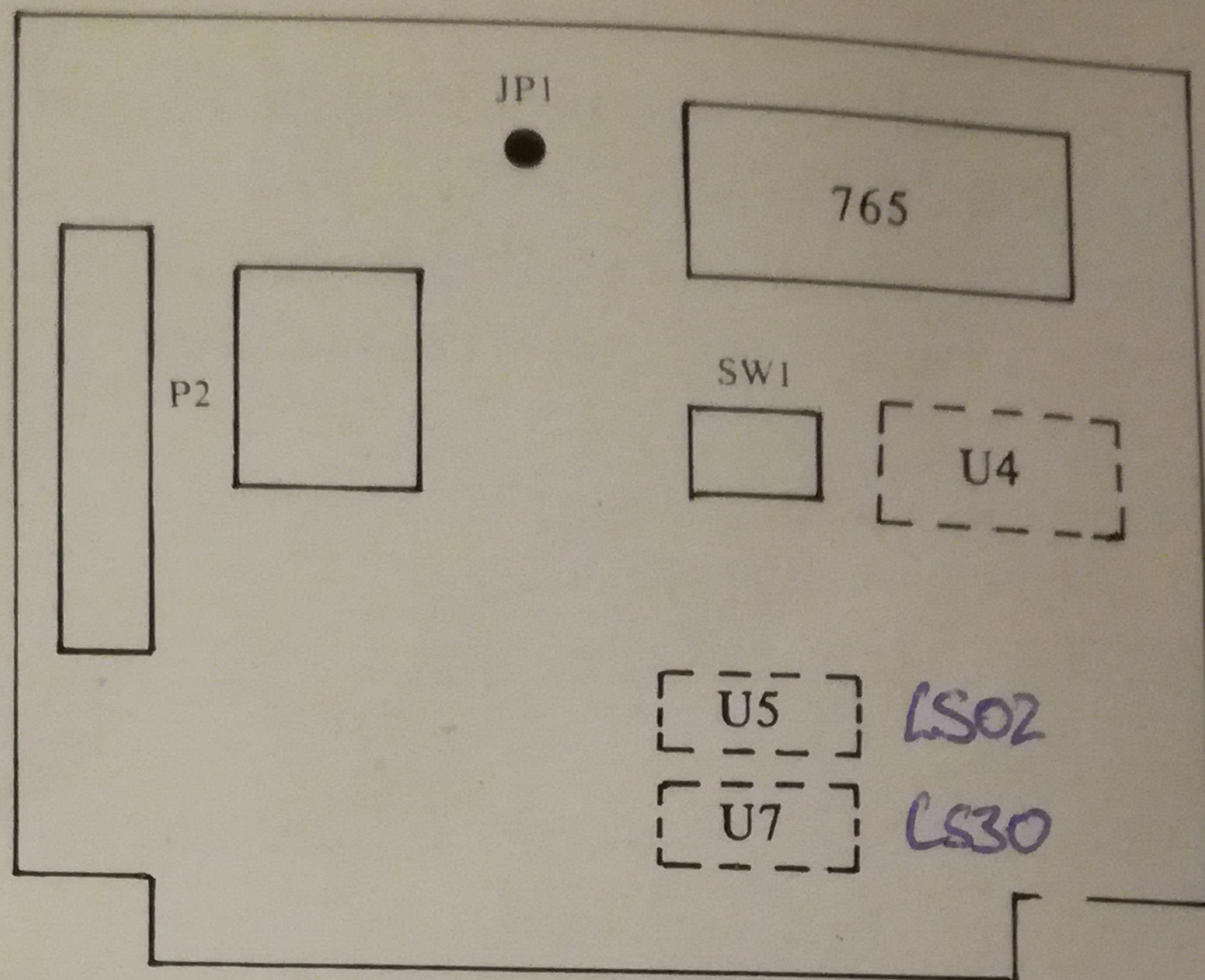
Overview

This card is a high performance Floppy Disk Controller Card for IBM PC/XT/AT™ PS/2™ and its compatibles. The board can interface up to two floppy disk drives. The floppy disk controller card has the following features:

- * Controls up to 2 floppy disk drives of the following two types:
 - 5.25 inch-1.2MB, 360KB
 - 3.5 inch-1.44MB, 720KB
- * Contain PS/2 system address decoder, I/O registers.
- * Compatible to IBM PC/XT/AT,™ and PS/2™ model 30 disk drive systems.

*IBM PC™, XT™, AT™ are registered trade marks of International Business Machines Corp.

Board Layout



P2: 34 Pin control cable connector for floppy drive 0 and drive 1

JP1: PCTM or PS/2TM reduce write current selector.

1-2 ON: Select PC/XTTM or ATTM

2-3 ON: Select PS/2TM

	SW1	SW2	SW3	SW4
SW1: XT	ON	OFF	ON	ON
AT with HDC	ON	OFF	ON	ON
AT without HDC	OFF	OFF	ON	ON
PS/2	ON	OFF	OFF	OFF

PLEASE NOTE:

To Avoid Compatibility Problem, Pull Out The Bios Rom Before Install In The 386, 286 Systems.

JP1: Select PCRW or PS2RW

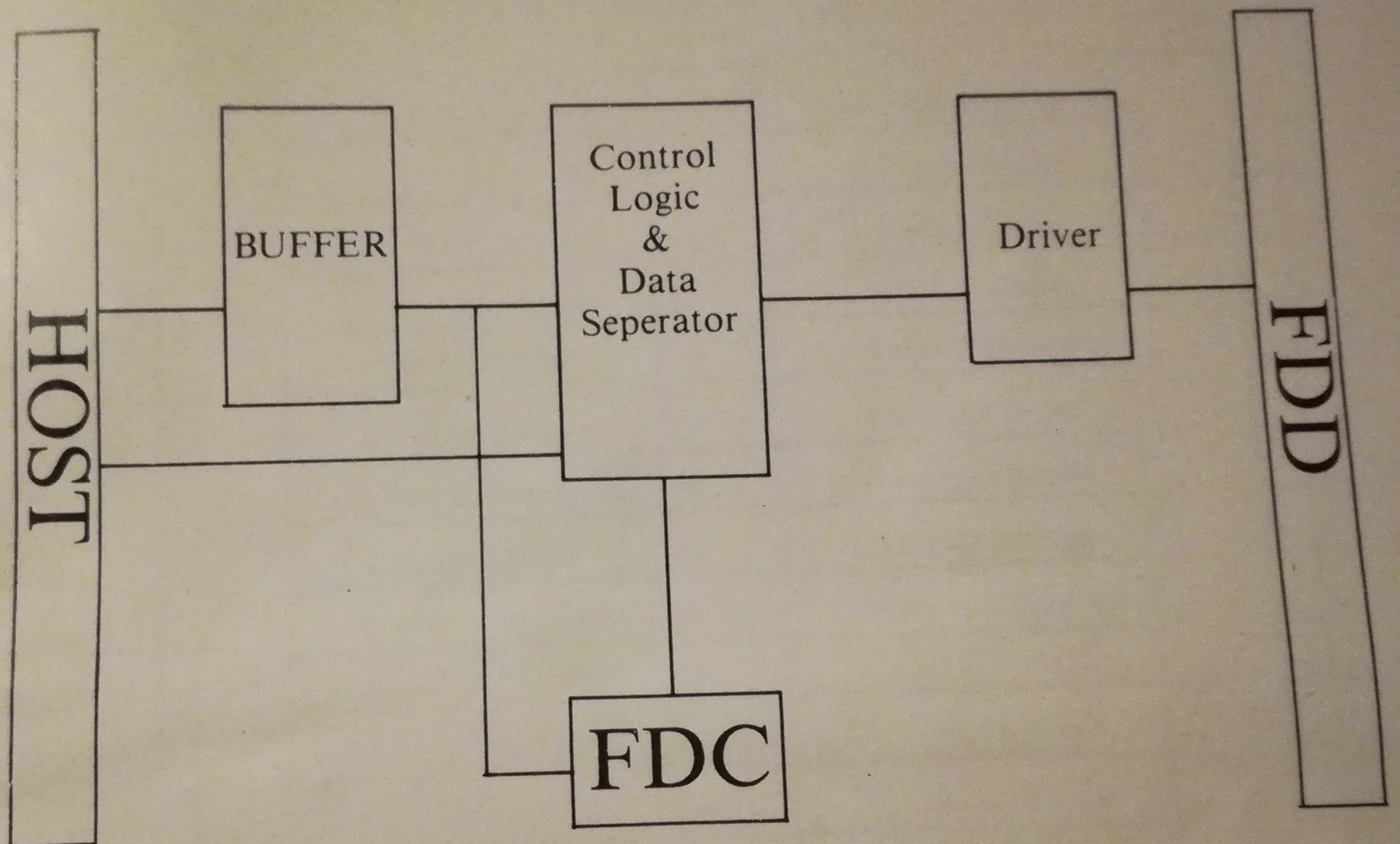
1—2 Short: Select PCTM

1—3 Short: Select PS/2TM

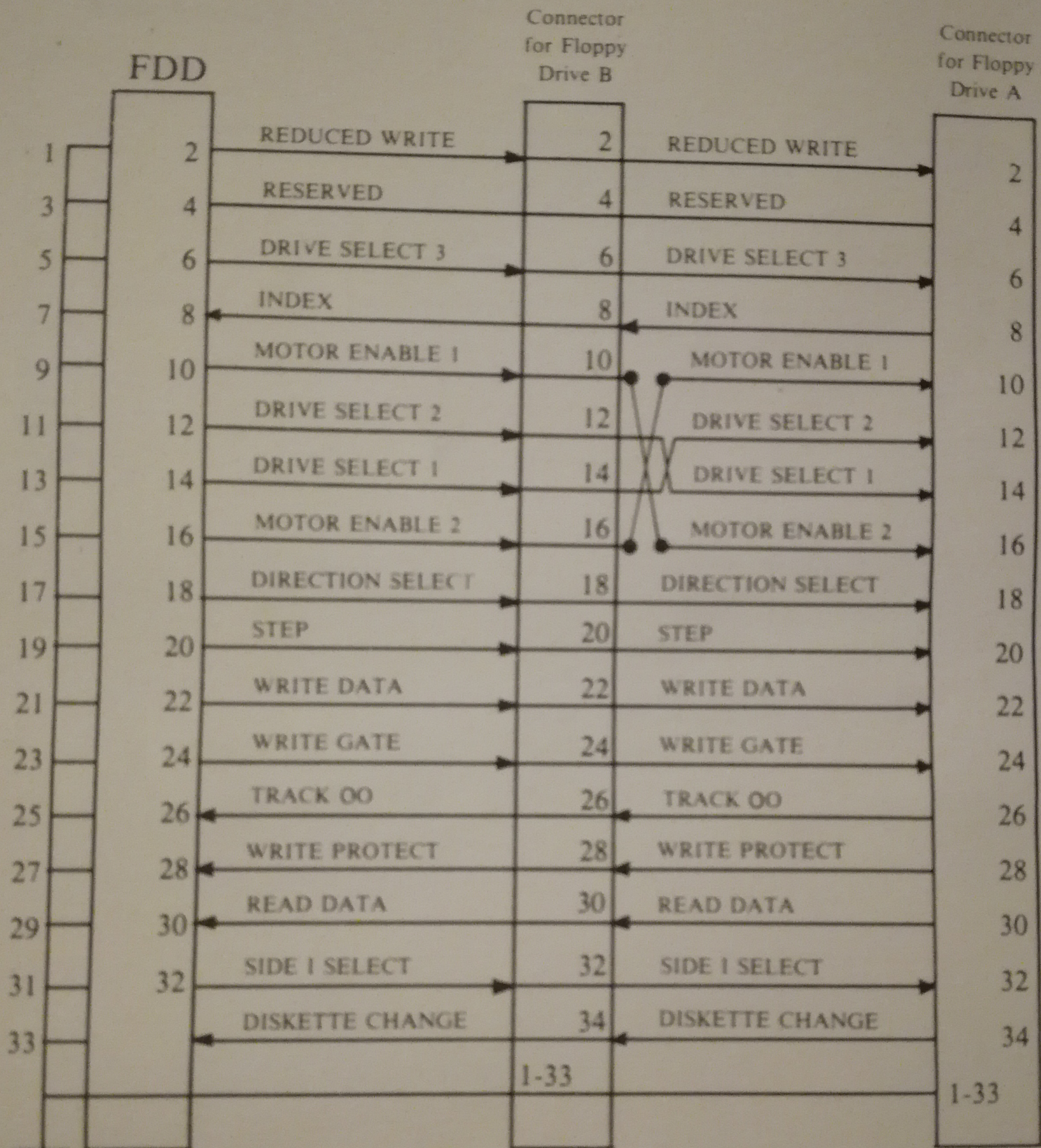
Function

HOST

Function Block



• Connector Singal Description



1-33 ODD PIN ALL GROUND

